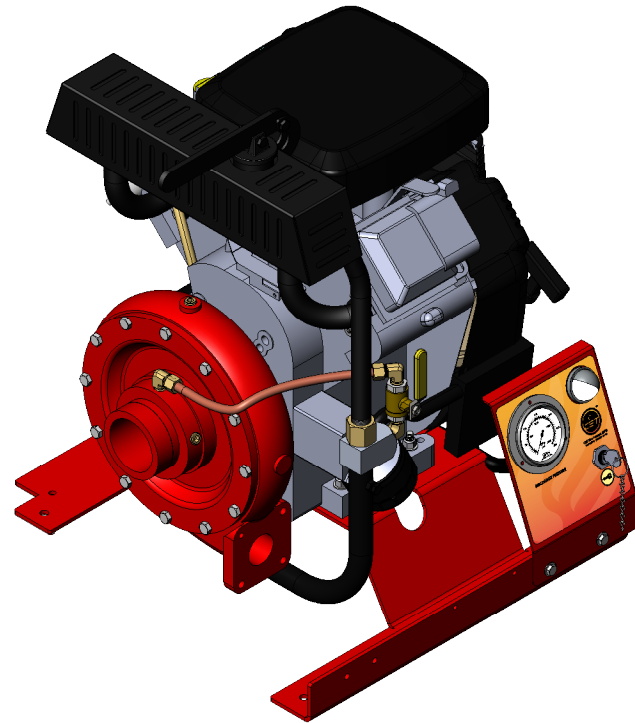
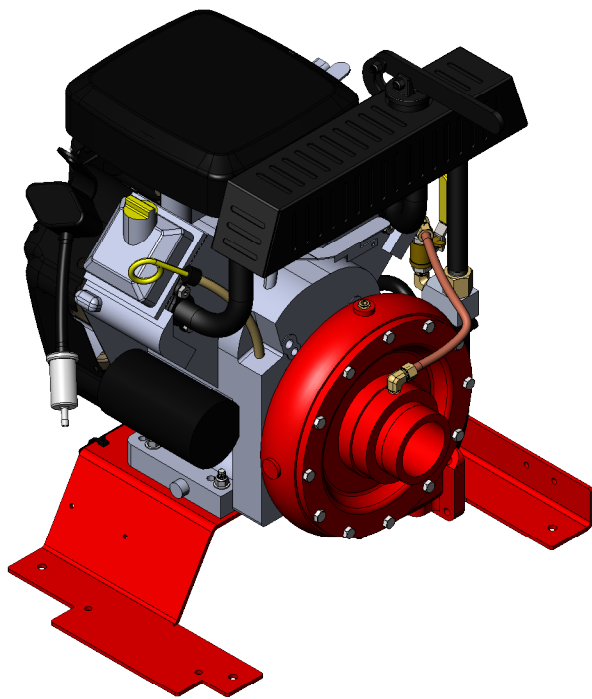
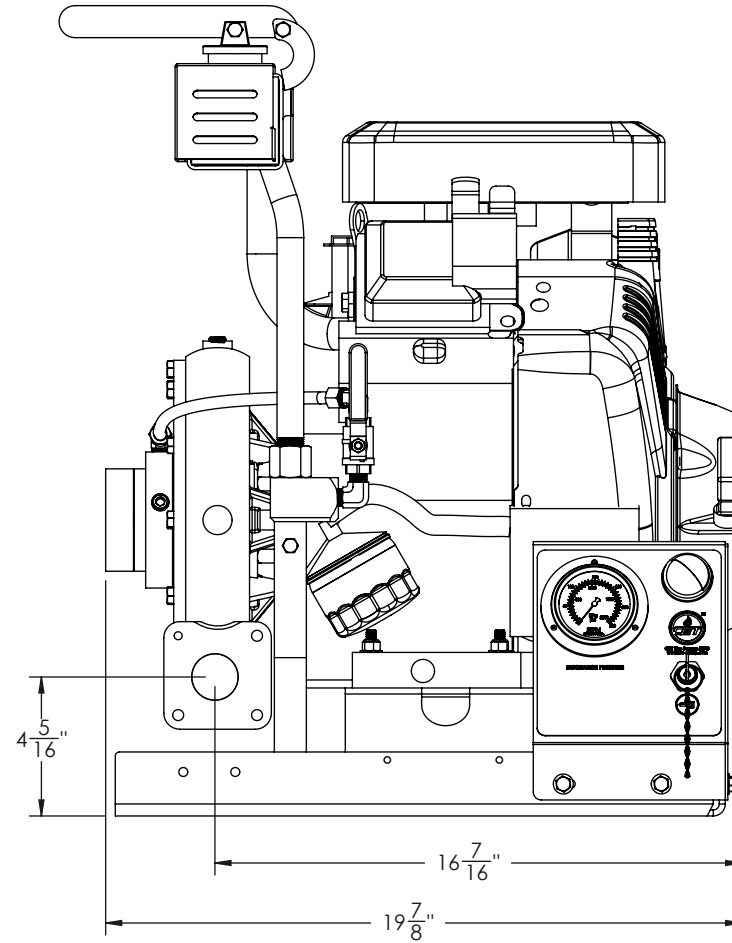
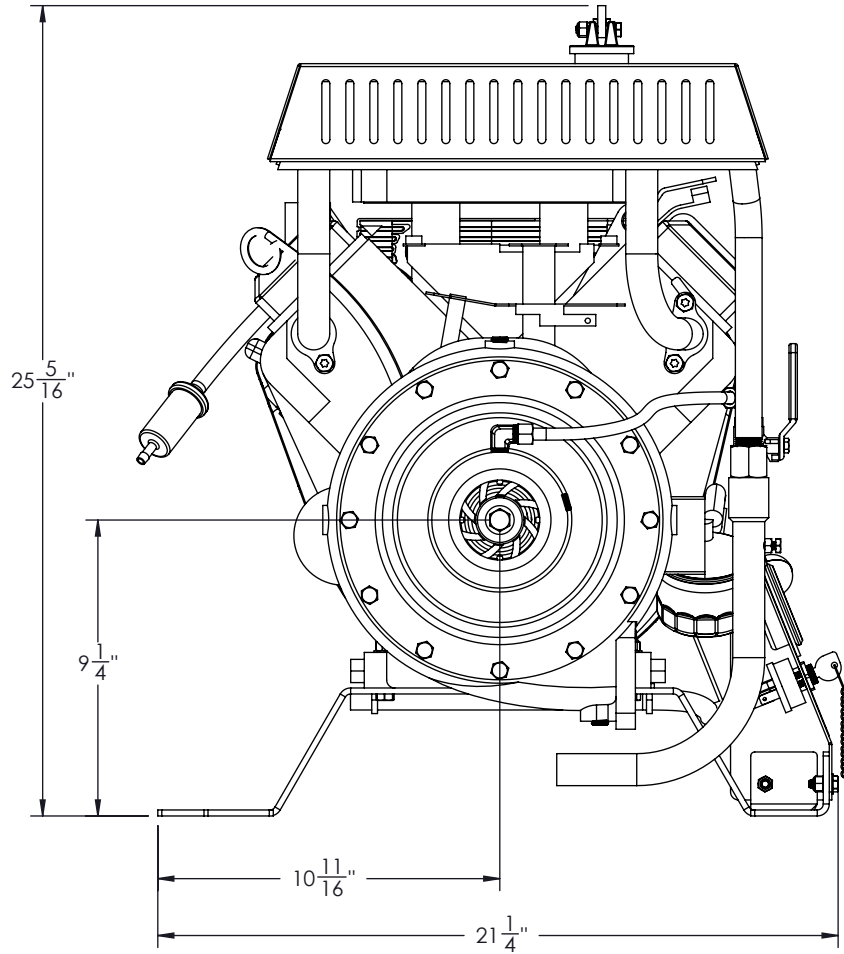


SKID MOUNTED FIRE PUMP
SM-PFP-23hpVGD-MR
380000 VANGUARD WITH MID-RANGE PUMP



WE CAN CUSTOMIZE AS YOU WANT



WET WEIGHT: 165lbs



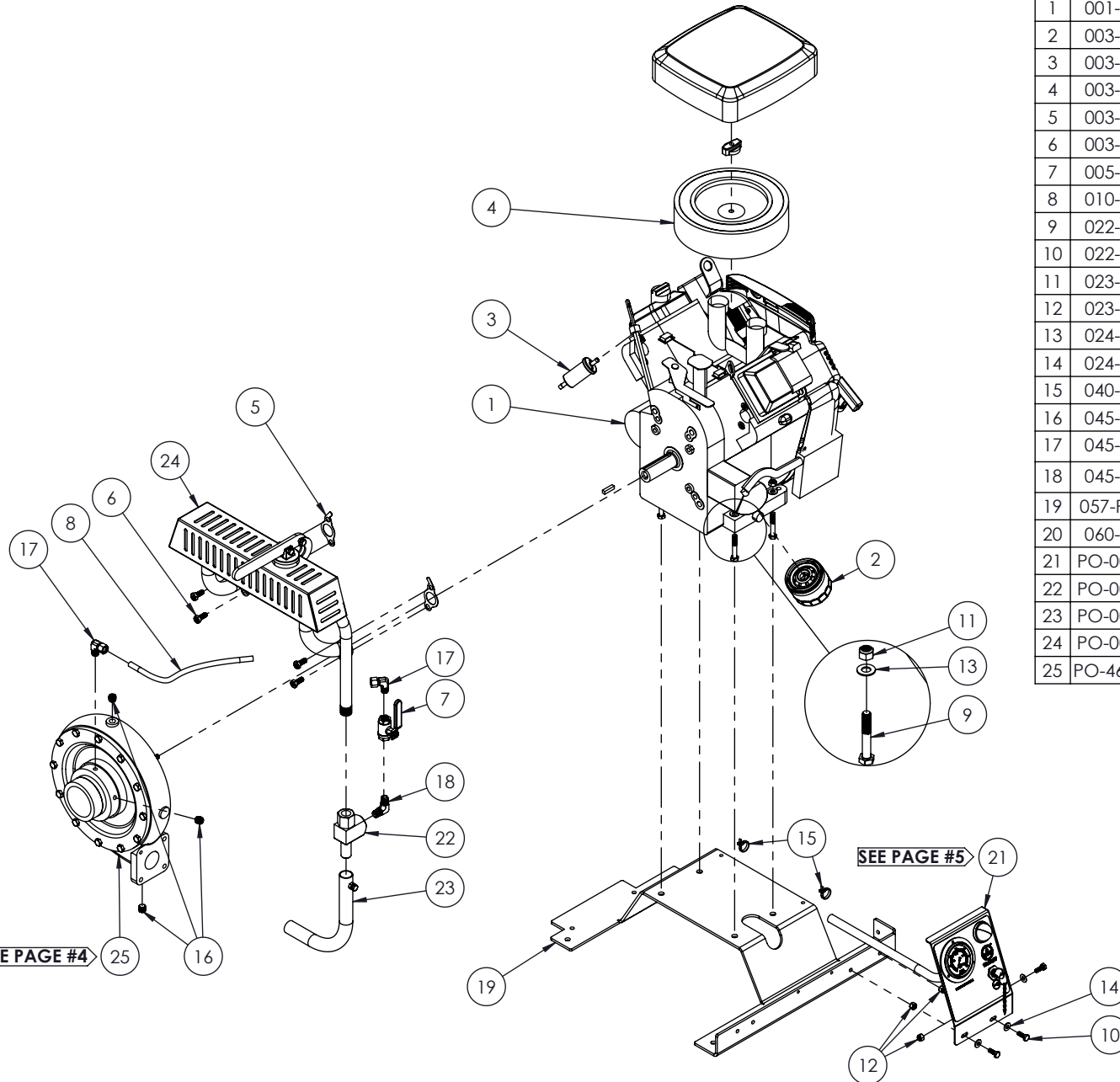
CREATED
BY: M.P.
DATE: 16-08-16
VERIFIED
BY: M.P.
DATE: 16-08-16

TITLE : SM-PFP-23hpVGD-MR
SKID FRAME
No: PO-46MR-0702-A

WARNING

THIS DOCUMENT REMAINS THE PROPERTY OF C.E.T. FIRE PUMPS MFG.
ALL REPRODUCTION WITHOUT WRITTEN AGREEMENT FROM C.E.T. FIRE PUMPS MFG IS TOTALLY PROHIBITED.



REV.	DESCRIPTION	DATE	BY
A	Version A	01-01-16	M.P.



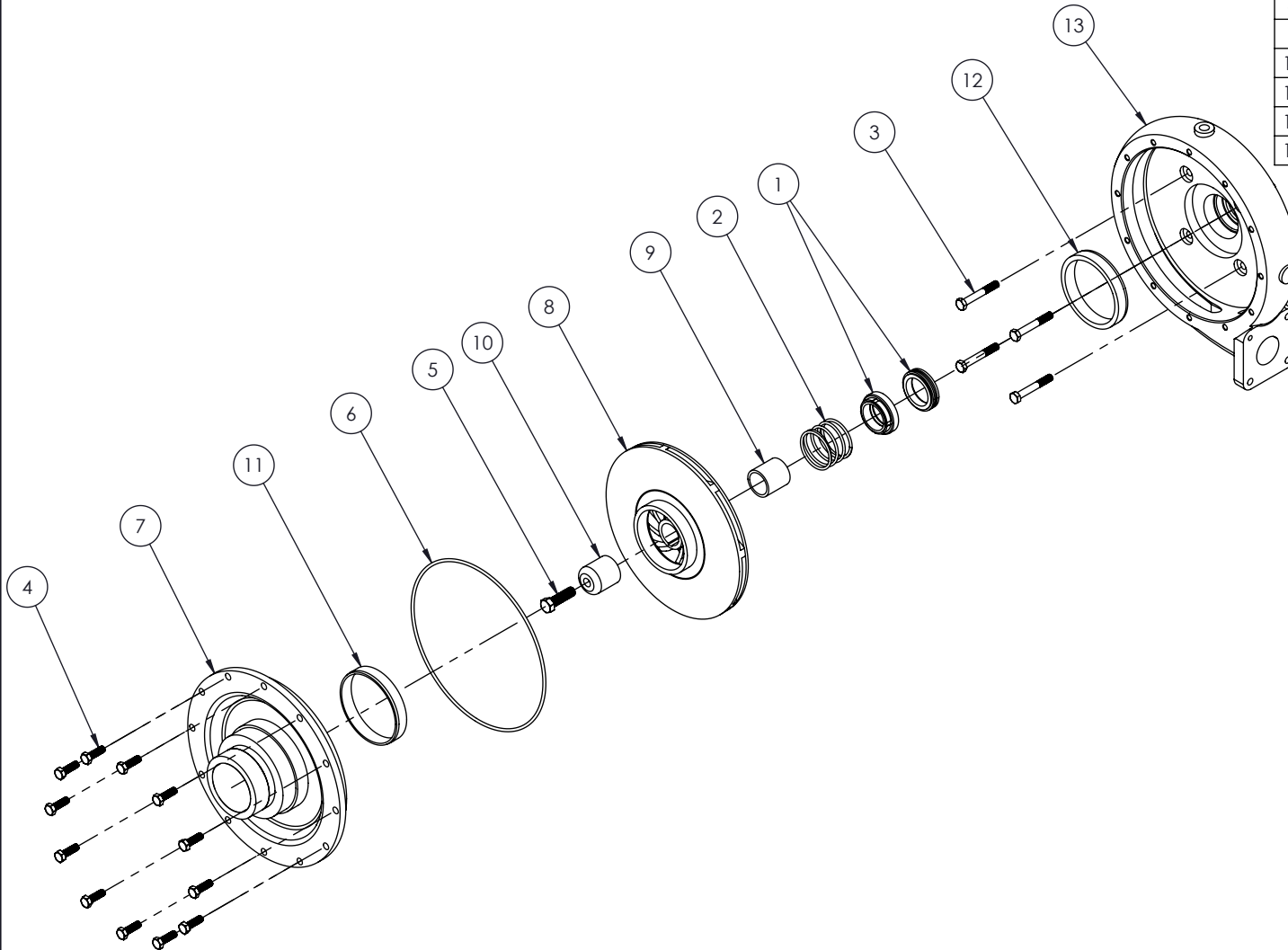
NO	PART NUMBER	DESCRIPTION	QTY
1	001-PP1-019	380000 VANGUARD ENGINE	1
2	003-PP1-097	OIL FILTER	1
3	003-PP1-124	FUEL FILTER	1
4	003-PP1-126	AIR FILTER	1
5	003-PP1-127	EXHAUST FLANGE	2
6	003-PP1-128	EXHAUST BOLT	4
7	005-PP1-205	BALL VALVE 1/4" NPT-F	1
8	010-PP1-999	COPPER TUBE 3/8" x 8"	1
9	022-PP1-016	HEX BOLT 5/16"-18 x 2"	4
10	022-PP1-416	HEX. BOLT 1/4"-20 x 3/4" (SS)	3
11	023-PP1-005	HEX. NYLON LOCK NUT 5/16"-18	4
12	023-PP1-006	HEX. NYLON LOCKNUT 1/4"-20	3
13	024-PP1-004	FLAT WASHER 5/16" ID x 3/4"OD	4
14	024-PP1-404	FLAT WASHER 1/4" ID x 5/8" OD (SS)	3
15	040-PP1-025	CABLE TIE 11"	2
16	045-PP1-101	PLUG HEX COUNTERSUNK 1/4" NPT-M	3
17	045-PP1-132	COMP. 90deg. ELBOW 3/8" TUBE x 1/4" NPT-M	2
18	045-PP1-224	90deg. ELBOW 1/4" NPT-M x 1/4" NPT-M	1
19	057-PP1-276E	SKID FRAME	1
20	060-PP1-163	SHAFT KEY 1/4"	1
21	PO-0000-1625	CONTROL PANEL	1
22	PO-0000-4101	VENTURY	1
23	PO-0000-4703	VENTURY EXHAUST	1
24	PO-0000-5710	PUMP MUFFLER	1
25	PO-46MR-2101	PUMP END ASSEMBLY	1

SEE PAGE #4

SEE PAGE #5

		CREATED BY: M.P. DATE: 16-08-16	TITLE : SM-PPF-23hpVGD-MR SKID FRAME	WARNING THIS DOCUMENT REMAINS THE PROPERTY OF C.E.T. FIRE PUMPS MFG. ALL REPRODUCTION WITHOUT WRITTEN AGREEMENT FROM C.E.T. FIRE PUMPS MFG IS TOTALLY PROHIBITED.	A REV.	Version A DESCRIPTION	01-01-16 DATE	M.P. BY
		VERIFIED BY: M.P. DATE: 16-08-16	No: PO-46MR-0702-A					

NO	PART NUMBER	DESCRIPTION	QTY
1	020-PP1-003	1.375" T-21 BP1C1 SEALS	1
2	020-PP1-011	SPRING	1
3	022-PP1-401	HEX. BOLT 5/16"-24 x 2-1/4" (SS)	4
4	022-PP1-403	HEX. BOLT 5/16"-18 x 1" (SS)	12
5	022-PP1-409	HEX. BOLT 7/16"-20 x 1-1/2" (SS)	1
6	052-PP1-268	O'RING	1
7	PO-0000-2301	COVER MR	1
8	PO-0000-2416	IMPELLER	1
9	PO-0000-2534	BUSHING	1
10	PO-0000-2535	CAP	1
11	PO-0000-2601	WATER RING COVER	1
12	PO-0000-2602	WATER RING CASING	1
13	PO-00MR-2203	CASING MR	1



CREATED
BY: M.P.
DATE: 04-08-16

VERIFIED
BY: M.P.
DATE: 04-08-16

TITLE : PUMP END ASSEMBLY
23hp VGD MR

No: PO-46MR-2101

WARNING

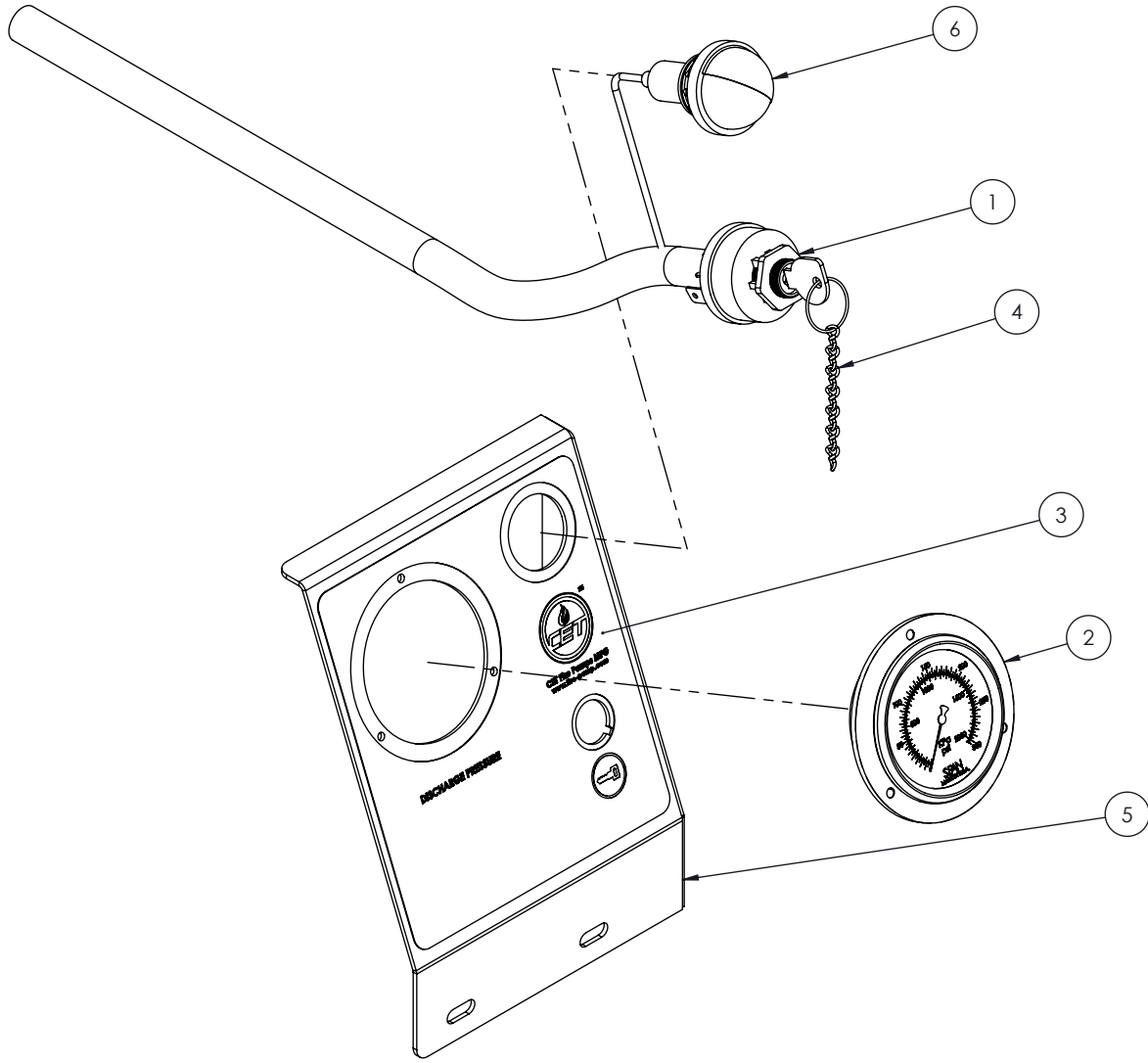
THIS DOCUMENT REMAINS THE PROPERTY OF C.E.T. FIRE PUMPS MFG.

ALL REPRODUCTION WITHOUT WRITTEN AGREEMENT FROM C.E.T. FIRE PUMPS MFG IS TOTALLY PROHIBITED.

A	Version A	01-01-16	M.P.
REV.	DESCRIPTION	DATE	BY

PO-46MR-0702-A

NO	PART NUMBER	DESCRIPTION	QTY
1	003-PP1-130	KEY SWITCH	1
2	034-PP1-006	MANOMETER 0/300psi	1
3	055-PP1-017C	STICKER	1
4	060-PP1-038	CHAIN 6"	1
5	PO-0000-1501	CONTROL PANEL	1
6	PO-0000-9606	SWITCH-LIGHT-WIRING	1



CREATED
BY: M.P.
DATE: 15-08-16

VERIFIED
BY: M.P.
DATE: 15-08-16

TITLE : CONTROL PANEL
18-23hp VGD

No: PO-0000-1625

WARNING

THIS DOCUMENT REMAINS THE PROPERTY OF C.E.T. FIRE PUMPS MFG.

ALL REPRODUCTION WITHOUT WRITTEN AGREEMENT FROM C.E.T. FIRE PUMPS MFG IS TOTALLY PROHIBITED.

A	Version A	01-01-16	M.P.
REV.	DESCRIPTION	DATE	BY