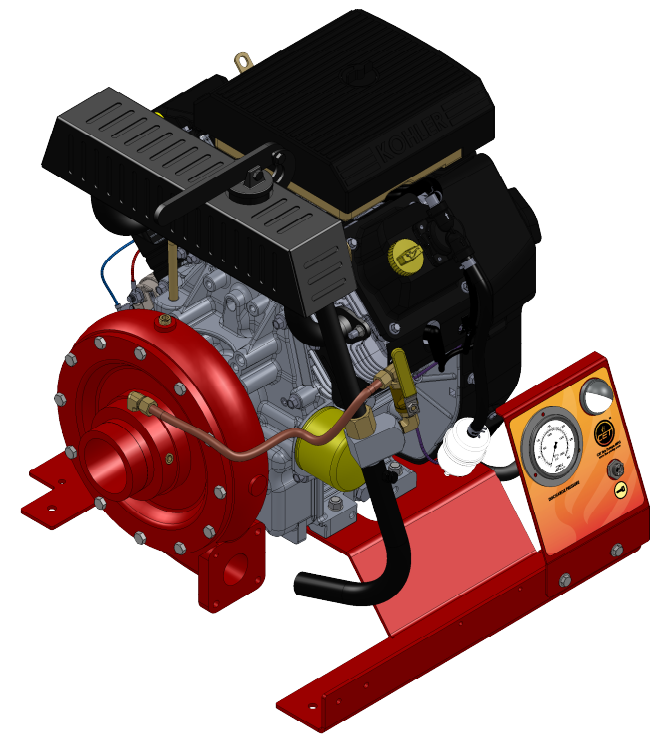
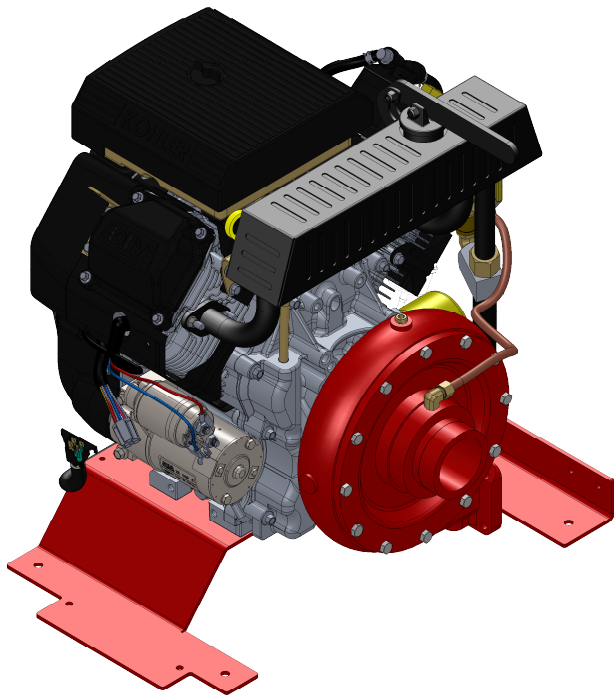
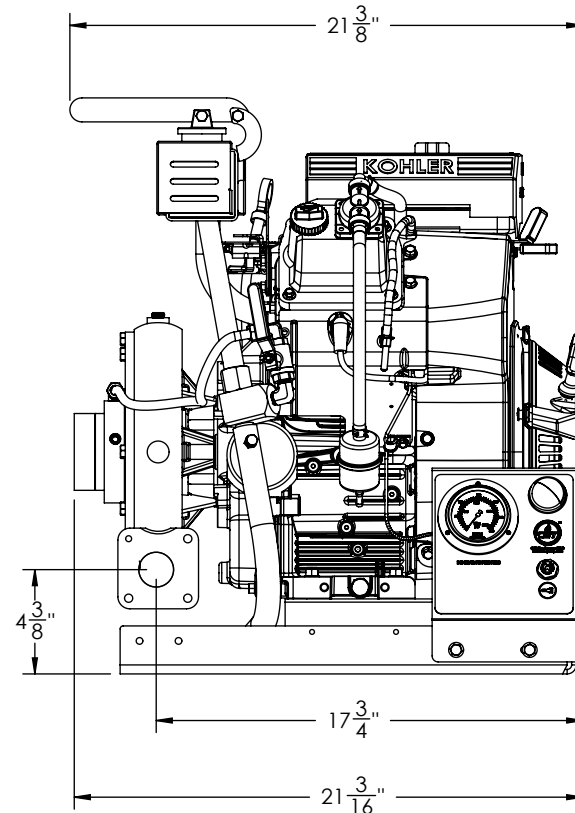
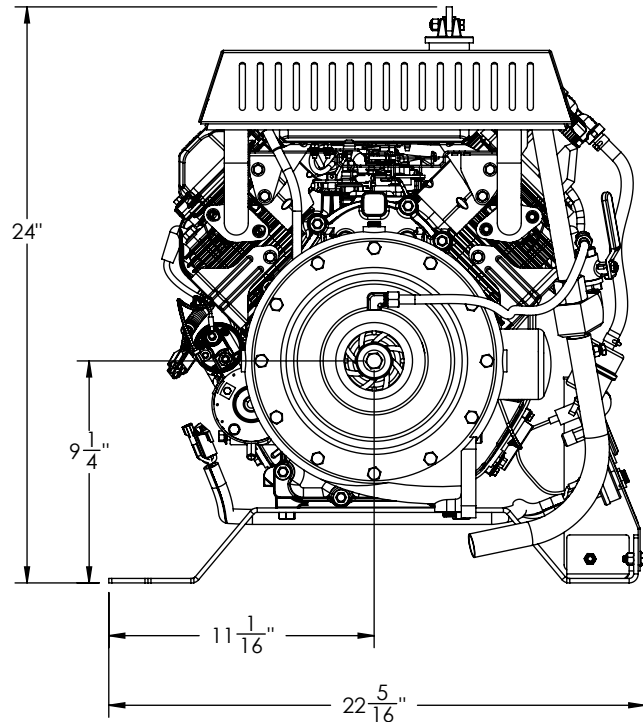



SKID MOUNTED FIRE PUMP
SM-PFP20hpKHL-MR
CH640 KOHLER WITH MID-RANGE PUMP



WE CAN CUSTOMIZE AS YOU WANT

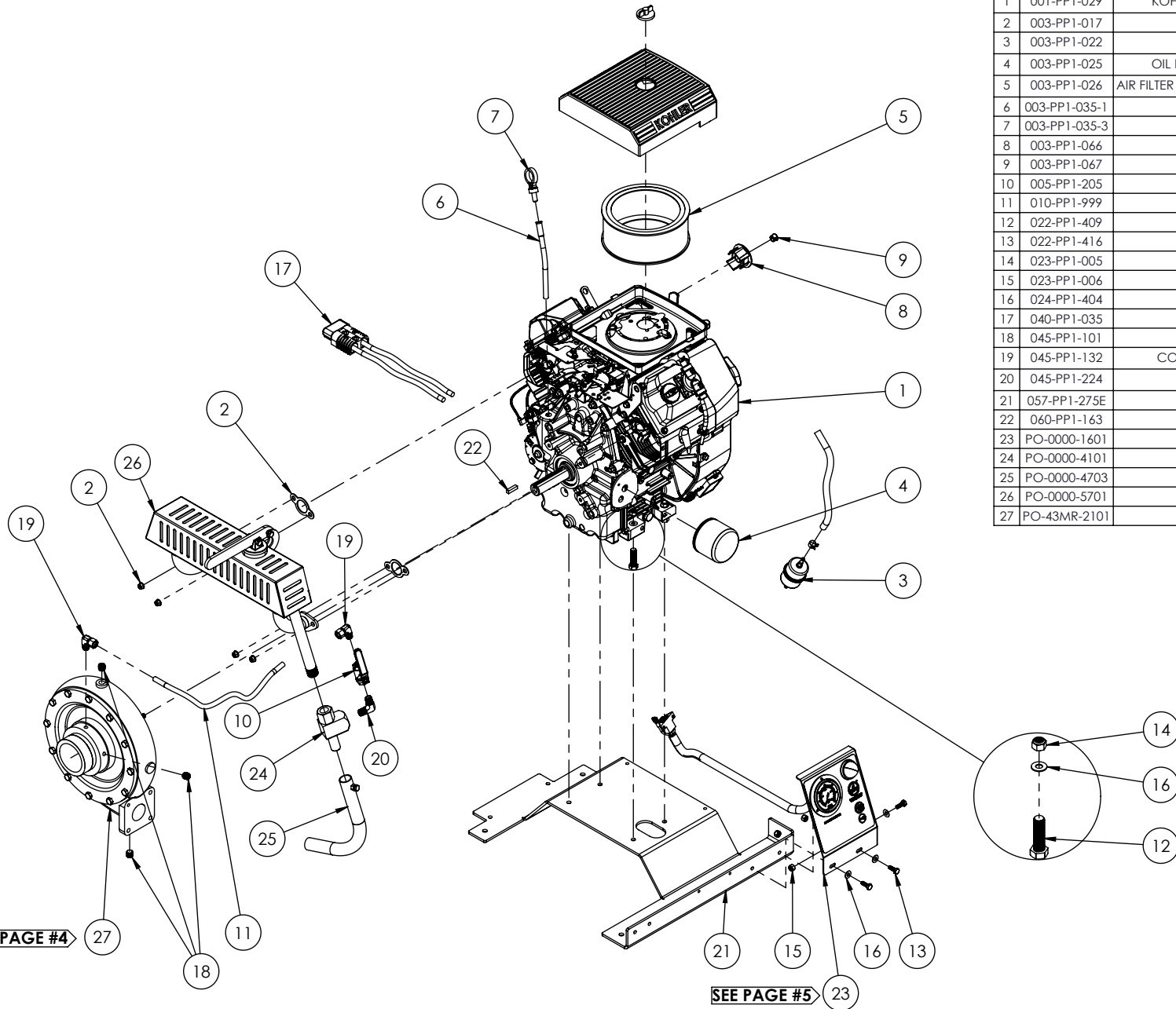


WET WEIGHT: 150lbs

		CREATED BY: M.V. DATE: 09-11-15	TITLE : SM-PFP-20hpKHL-MR SKID FRAME	WARNING THIS DOCUMENT REMAINS THE PROPERTY OF C.E.T. FIRE PUMPS MFG. ALL REPRODUCTION WITHOUT WRITTEN AGREEMENT FROM C.E.T. FIRE PUMPS MFG IS TOTALLY PROHIBITED.
		VERIFIED BY: M.P. DATE: 10-05-16	No: PO-43MR-0702-A	



A	Version A	01-01-16	M.P.
REV.	DESCRIPTION	DATE	BY

NO	PART NUMBER	DESCRIPTION	QTY
1	001-PP1-029	KOHLER ENGINE, ELECTRIC/MANUAL 20hp GAS	1
2	003-PP1-017	GASKET MUFFLER KIT	1
3	003-PP1-022	FUEL FILTER KOHLER 20, 25 & 27hp	1
4	003-PP1-025	OIL FILTER for 20hp, 25hp, 27hp & 38hp KOHLER	1
5	003-PP1-026	AIR FILTER W/ GREEN FOAM for 20hp, 25hp & 27hp KOHLER	1
6	003-PP1-035-1	DIP STICK	1
7	003-PP1-035-3	OIL GAUGE	1
8	003-PP1-066	PLASTIC PLUG	1
9	003-PP1-067	PLUG BUTTON	1
10	005-PP1-205	BALL VALVE 1/4" NPT-F	1
11	010-PP1-999	COPPER TUBE 3/8" x 14"	1
12	022-PP1-409	HEX. BOLT 7/16"-20 x 1-1/2" (SS)	4
13	022-PP1-416	HEX. BOLT 1/4"-20 x 3/4" (SS)	3
14	023-PP1-005	HEX. NYLON LOCK NUT 5/16"-18	4
15	023-PP1-006	HEX. NYLON LOCKNUT 1/4"-20	3
16	024-PP1-404	FLAT WASHER 1/4" ID x 5/8" OD (SS)	7
17	040-PP1-035	BATTERY QUICK CONNECT	1
18	045-PP1-101	PLUG HEX COUNTERSUNK 1/4" NPT-M	3
19	045-PP1-132	COMP. 90deg. ELBOW 3/8" TUBE x 1/4" NPT-M	2
20	045-PP1-224	90deg. ELBOW 1/4" NPT-M x 1/4 NPT-M	1
21	057-PP1-275E	SKID FRAME	1
22	060-PP1-163	SHAFT KEY 1/4"	1
23	PO-0000-1601	CONTROL PANEL	1
24	PO-0000-4101	VENTURY	1
25	PO-0000-4703	VENTURY EXHAUST	1
26	PO-0000-5701	PUMP MUFFLER	1
27	PO-43MR-2101	PUMP END MR	1

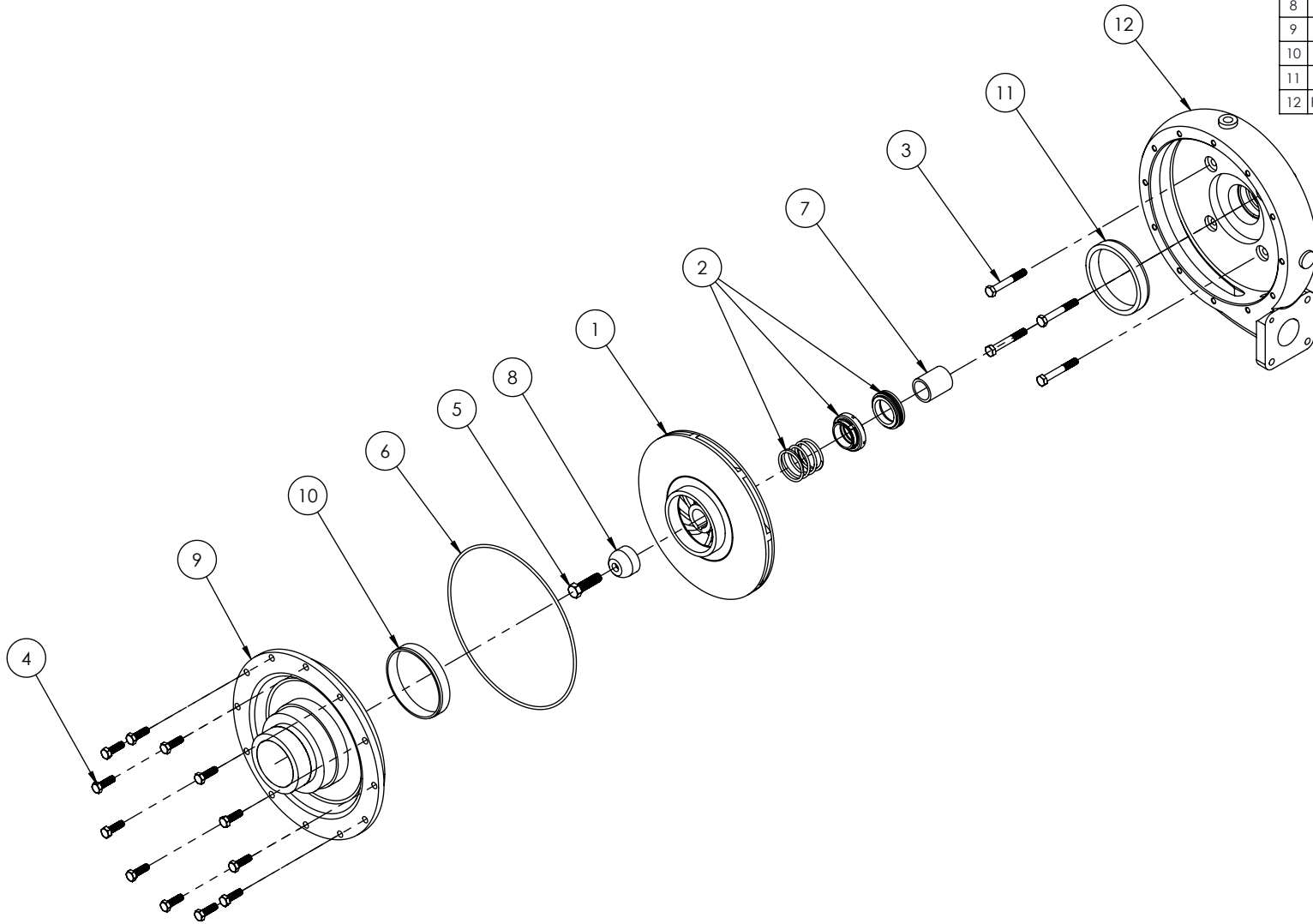


SEE PAGE #4

SEE PAGE #5

		CREATED BY: M.V. DATE: 09-11-15	TITLE : SM-PFP-20hpKHL-MR SKID FRAME	WARNING THIS DOCUMENT REMAINS THE PROPERTY OF C.E.T. FIRE PUMPS MFG. ALL REPRODUCTION WITHOUT WRITTEN AGREEMENT FROM C.E.T. FIRE PUMPS MFG IS TOTALLY PROHIBITED.	A REV.	Version A DESCRIPTION	01-01-16 DATE	M.P. BY
		VERIFIED BY: M.P. DATE: 10-05-16	No: PO-43MR-0702-A					

NO	PART NUMBER	DESCRIPTION	QTY
1	002-PP1-012	IMPELLER MR	1
2	020-PP1-002	MECHANICAL SEAL 1-1/4" (SS)	1
3	022-PP1-401	HEX. BOLT 5/16"-24 x 2-1/4" (SS)	4
4	022-PP1-403	HEX. BOLT 5/16"-18 x 1" (SS)	12
5	022-PP1-409	HEX. BOLT 7/16"-20 x 1-1/2" (SS)	1
6	052-PP1-268	O-RING	1
7	060-PP1-069A	BUSHING	1
8	060-PP1-126A	CAP	1
9	PO-0000-2301	COVER MR	1
10	PO-0000-2601	WATER RING COVER	1
11	PO-0000-2602	WATER RING CASING	1
12	PO-00MR-2201A	CASING MR	1



CREATED
BY: M.V.
DATE: 06-10-13

VERIFIED
BY: M.P.
DATE: 04-05-16

TITLE : PUMP END ASSEMBLY
20hp KOHLER

No: PO-43MR-2101

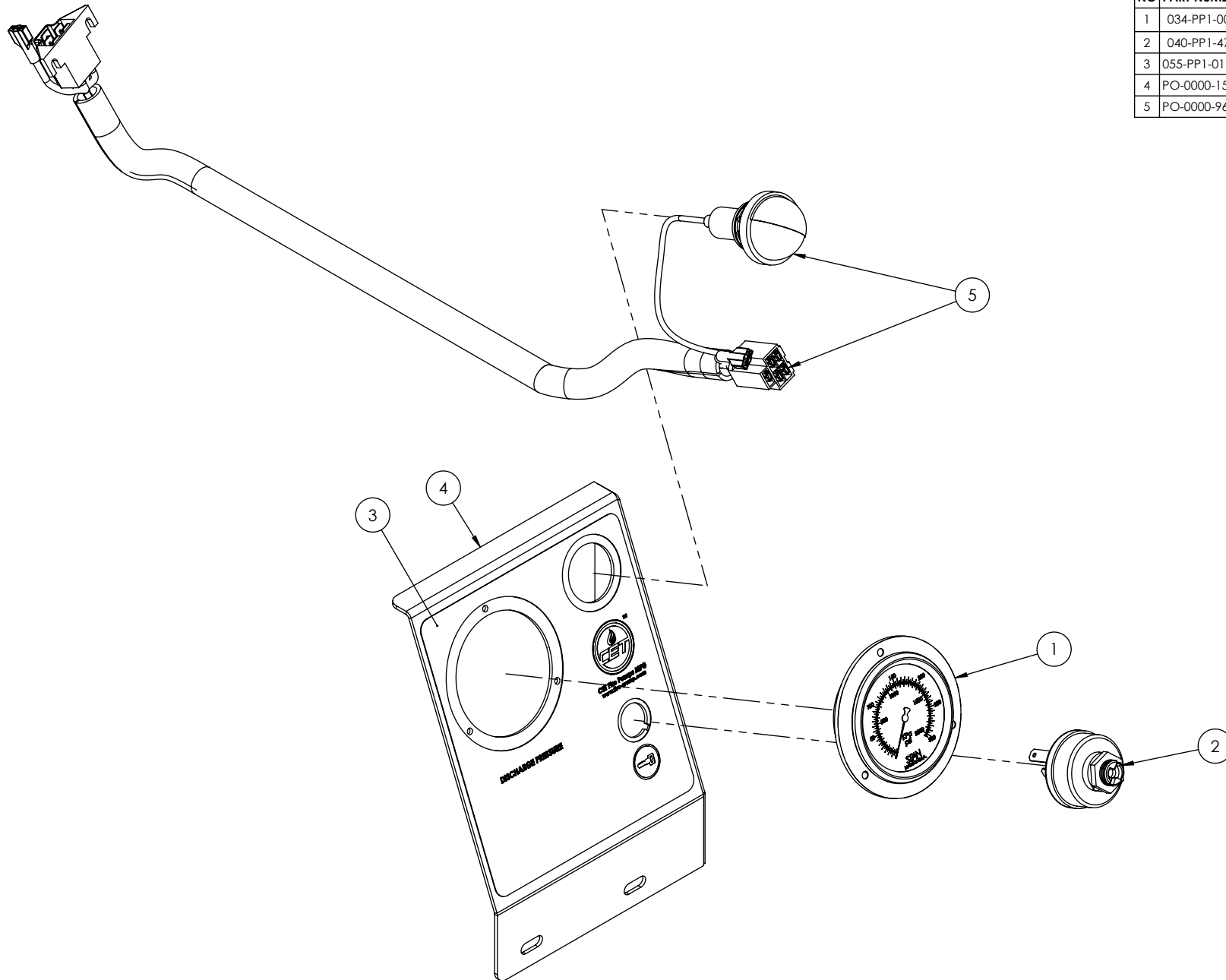
WARNING

THIS DOCUMENT REMAINS THE PROPERTY OF C.E.T. FIRE PUMPS MFG.

ALL REPRODUCTION WITHOUT WRITTEN AGREEMENT FROM C.E.T. FIRE PUMPS MFG IS TOTALLY PROHIBITED.

A	Version A	01-01-16	M.P.
REV.	DESCRIPTION	DATE	BY

NO	PART NUMBER	DESCRIPTION	QTY
1	034-PP1-006	MANOMETER 0/300psi	1
2	040-PP1-472	KOHLER IGNITION SWITCH	1
3	055-PP1-017C	STICKER	1
4	PO-0000-1501	CONTROL PANEL	1
5	PO-0000-9601	WIRING	1



nqa.
 ISO 9001
 Registered
 Quality
 Management

CREATED
 BY: M.V.
 DATE: 28-10-13
VERIFIED
 BY: M.V.
 DATE: 22-04-16

TITLE : CONTROL PANEL
 20hp KHL SKID
No: PO-0000-1601

WARNING
 THIS DOCUMENT REMAINS THE PROPERTY
 OF C.E.T. FIRE PUMPS MFG.
 ALL REPRODUCTION WITHOUT WRITTEN
 AGREEMENT FROM C.E.T. FIRE PUMPS MFG
 IS TOTALLY PROHIBITED.

REV.	DESCRIPTION	DATE	BY
A	Version A	01-01-16	M.P.