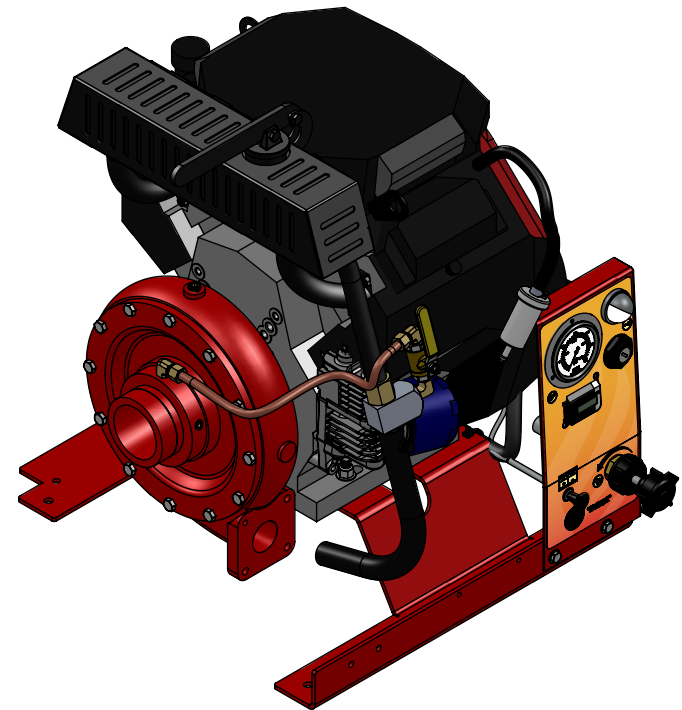
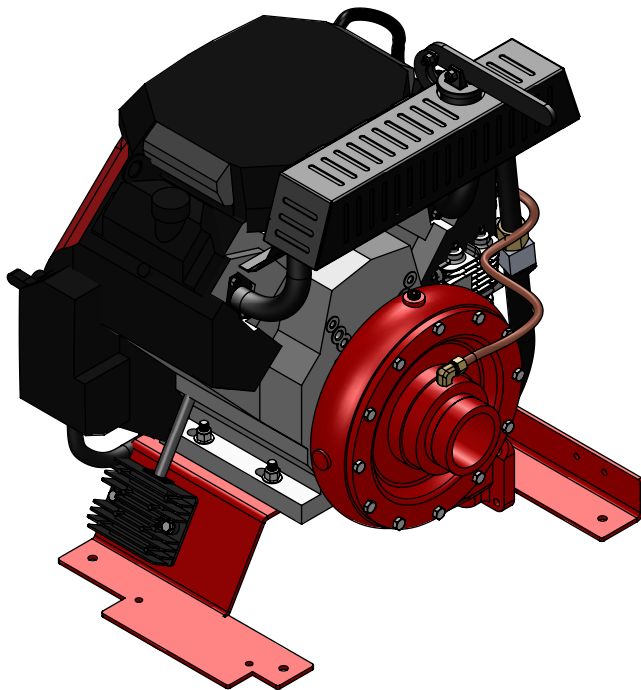
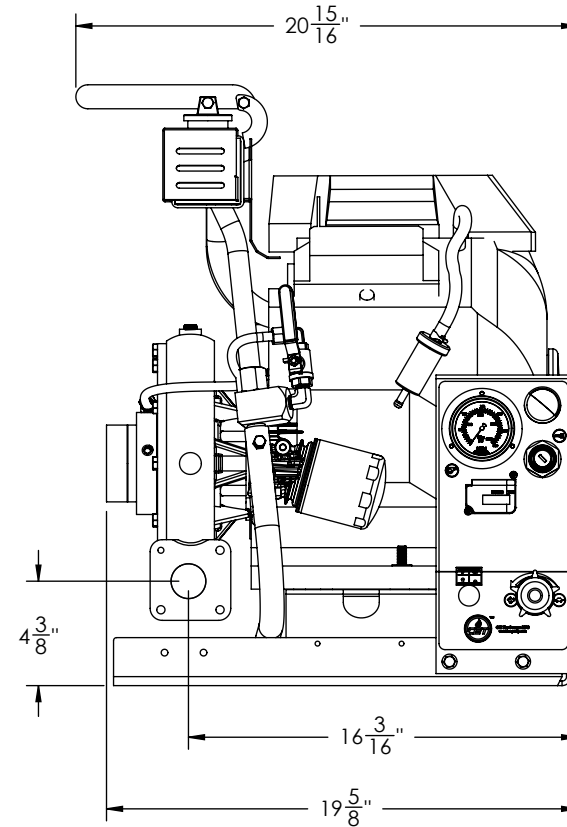
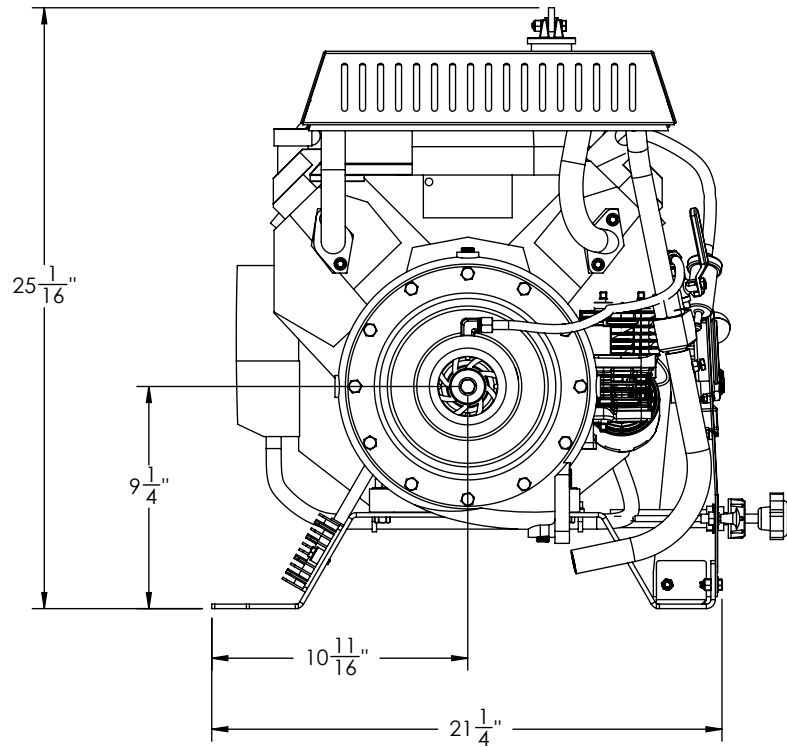


**SKID MOUNTED FIRE PUMP**  
**SM-PFP-20hpHND-MR**  
**GX630 HONDA WITH MID-RANGE PUMP**



**WE CAN CUSTOMIZE AS YOU WANT**



**WET WEIGHT: 163lbs**



**nqa.**  
ISO 9001  
Registered  
Quality  
Management

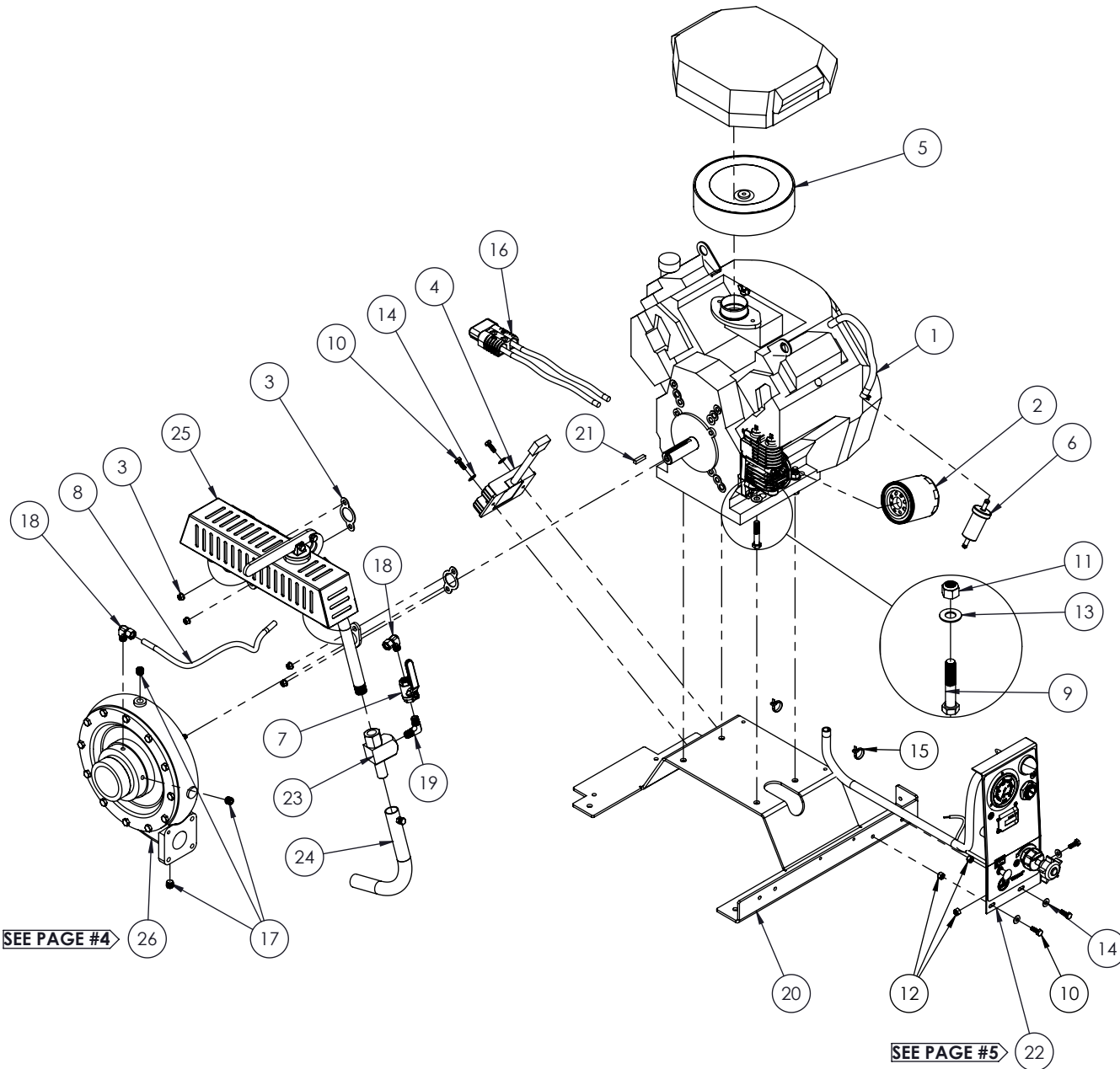
**CREATED**  
BY: M.V.  
DATE: 19-08-16  
**VERIFIED**  
BY: M.P.  
DATE: 19-08-16

**TITLE :** SM-PFP-20hpHND-MR  
SKID FRAME  
**No:**  
**PO-42MR-0702-A**

**WARNING**

THIS DOCUMENT REMAINS THE PROPERTY OF C.E.T. FIRE PUMPS MFG.  
ALL REPRODUCTION WITHOUT WRITTEN AGREEMENT FROM C.E.T. FIRE PUMPS MFG IS TOTALLY PROHIBITED.



A	Version A	01-01-16	M.P.
REV.	DESCRIPTION	DATE	BY



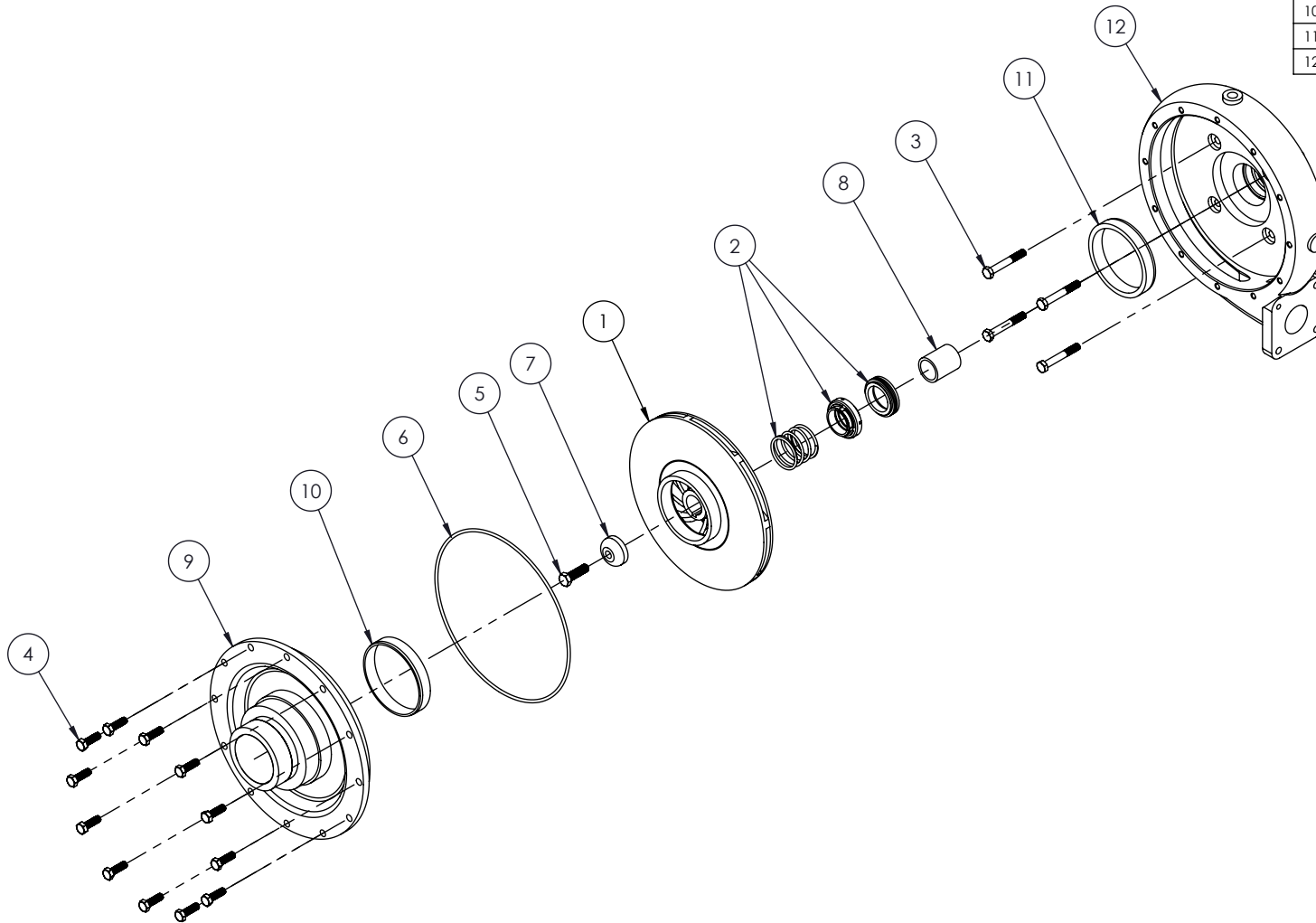
NO	PART NUMBER	DESCRIPTION	QTY
1	001-PP1-014	HONDA ENGINE, ELECTRIC 20hp V-TWIN	1
2	003-PP1-010	HONDA 18hp & 20hp OIL FILTER	1
3	003-PP1-017	GASKET MUFFLER KIT	1
4	003-PP1-094	HONDA VOLTAGE REGULATOR RECTIFIER	1
5	003-PP1-100	HONDA 20hp AIR FILTER	1
6	003-PP1-102	HONDA 20hp FUEL FILTER	1
7	005-PP1-205	BALL VALVE 1/4" NPT-F	1
8	010-PP1-999	COPPER TUBE 3/8" x 16"	1
9	022-PP1-009	HEX. BOLT 3/8"-16 x 2" (Gr.5 ZINC)	4
10	022-PP1-416	HEX. BOLT 1/4"-20 x 3/4" (SS)	5
11	023-PP1-001	HEX. NYLON LOCKNUT 3/8"-16	4
12	023-PP1-006	HEX. NYLON LOCKNUT 1/4"-20	3
13	024-PP1-009	FLAT WASHER 3/8" int. x 7/8" ext.	4
14	024-PP1-404	FLAT WASHER 1/4" ID x 5/8" OD (SS)	5
15	040-PP1-025	CABLE TIE 11"	2
16	040-PP1-035	BATTERY QUICK CONNECT	1
17	045-PP1-101	PLUG HEX COUNTERSUNK 1/4" NPT-M	3
18	045-PP1-132	COMP. 90deg. ELBOW 3/8" TUBE x 1/4" NPT-M	2
19	045-PP1-224	90deg. ELBOW 1/4" NPT-M x 1/4" NPT-M	1
20	057-PP1-276E	SKID FRAME	1
21	060-PP1-163	SHAFT KEY 1/4"	1
22	PO-0000-1602	CONTROL PANEL	1
23	PO-0000-4101	VENTURY	1
24	PO-0000-4703	VENTURY EXHAUST	1
25	PO-0000-5702	MUFFLER	1
26	PO-42MR-2101	PUMP END MR	1

SEE PAGE #4

SEE PAGE #5

 	<b>CREATED</b> BY: M.V. DATE: 19-08-16	<b>TITLE :</b> SM-PPF-20hpHND-MR SKID FRAME	<b>WARNING</b> THIS DOCUMENT REMAINS THE PROPERTY OF C.E.T. FIRE PUMPS MFG. ALL REPRODUCTION WITHOUT WRITTEN AGREEMENT FROM C.E.T. FIRE PUMPS MFG IS TOTALLY PROHIBITED.	A REV.	Version A DESCRIPTION	01-01-16 DATE	M.P. BY
	<b>VERIFIED</b> BY: M.P. DATE: 19-08-16	<b>No:</b> PO-42MR-0702-A					

NO	PART NUMBER	DESCRIPTION	QTY
1	002-PP1-012	IMPELLER MR	1
2	020-PP1-002	MECHANICAL SEAL 1-1/4" (SS)	1
3	022-PP1-401	HEX. BOLT 5/16"-24 x 2-1/4" (SS)	4
4	022-PP1-403	HEX. BOLT 5/16"-18 x 1" (SS)	12
5	022-PP1-420	HEX. BOLT 3/8"-24 x 1-1/4" (SS)	1
6	052-PP1-268	O'RING	1
7	060-PP1-050	CAP	1
8	060-PP1-069A	BUSHING	1
9	PO-0000-2301	COVER MR	1
10	PO-0000-2601	WATER RING COVER	1
11	PO-0000-2602	WATER RING CASING	1
12	PO-00MR-2201A	CASING MR	1



**CREATED**  
 BY: M.V.  
 DATE: 19-08-16  
**VERIFIED**  
 BY: M.P.  
 DATE: 19-08-16

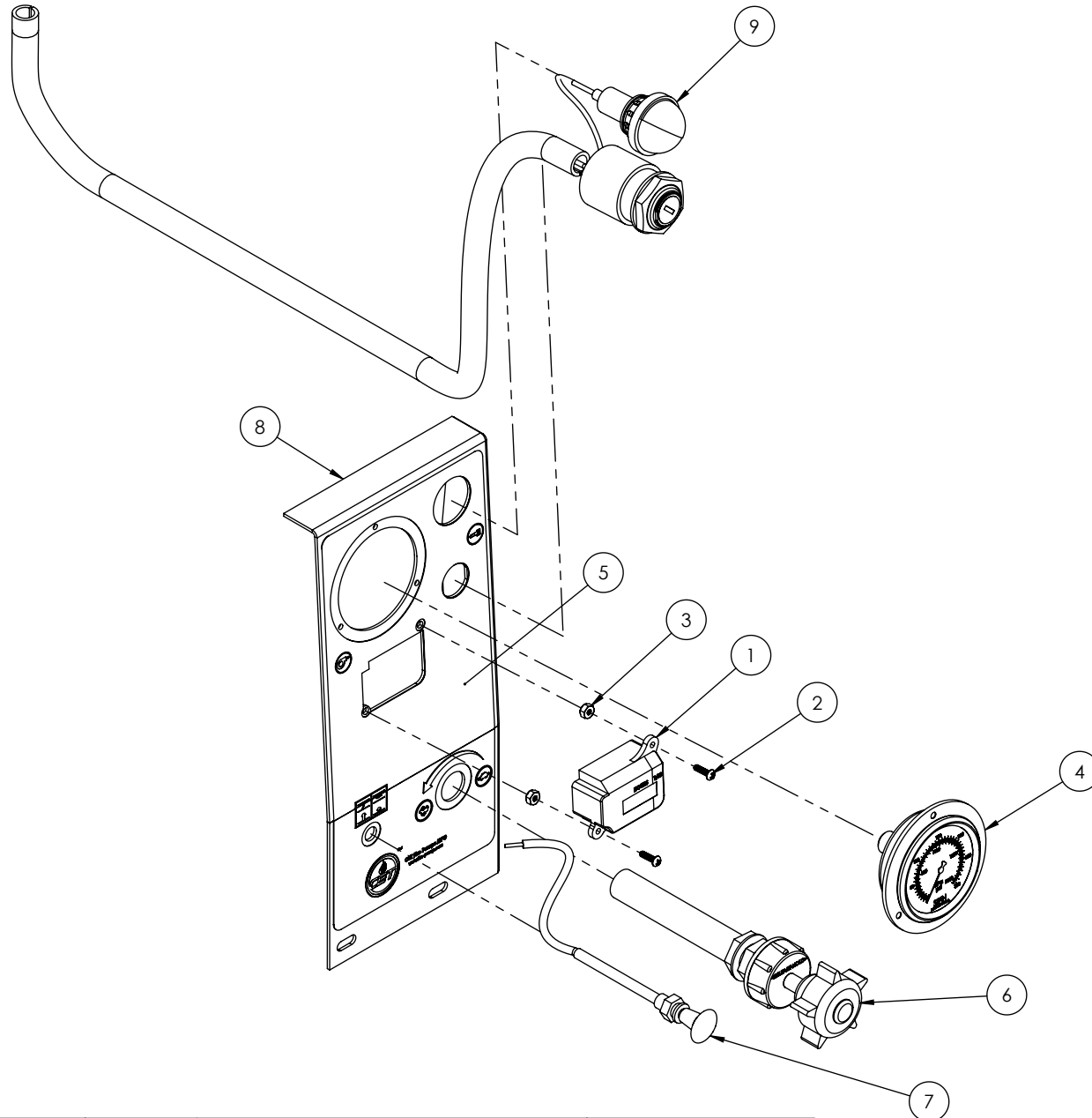
**TITLE :** PUMP END ASSEMBLY  
 20hp HONDA MR  
**No:** PO-42MR-2101

**WARNING**

THIS DOCUMENT REMAINS THE PROPERTY OF C.E.T. FIRE PUMPS MFG.  
 ALL REPRODUCTION WITHOUT WRITTEN AGREEMENT FROM C.E.T. FIRE PUMPS MFG IS TOTALLY PROHIBITED.

A	Version A	01-01-16	M.P.
REV.	DESCRIPTION	DATE	BY

NO	PART NUMBER	DESCRIPTION	QTY
1	003-PP1-095	HOUR METER HONDA	1
2	022-PP1-864	MACHINE SCREW ROUND HEAD 6-32 x 1/2" (SS)	2
3	023-PP1-418	HEX. NYLON LOCKNUT 6-32 (SS)	2
4	034-PP1-006	MANOMETER 0/300psi	1
5	055-PP1-054C	STICKER CONTROL PANEL	1
6	060-PP1-002	THROTTLE CONTROL (6')	1
7	060-PP1-045	CHOKE CABLE	1
8	PO-0000-1502	CONTROL PANEL	1
9	PO-0000-9602	WIRING	1



**nqa.**  
**ISO 9001**  
 Registered  
 Quality  
 Management

**CREATED**  
 BY: M.V.  
 DATE: 19-08-16  
**VERIFIED**  
 BY: M.P.  
 DATE: 19-08-16

**TITLE :** CONTROL PANEL  
 20hp HONDA  
**No:** PO-0000-1602

**WARNING**  
 THIS DOCUMENT REMAINS THE PROPERTY  
 OF C.E.T. FIRE PUMPS MFG.  
 ALL REPRODUCTION WITHOUT WRITTEN  
 AGREEMENT FROM C.E.T. FIRE PUMPS MFG  
 IS TOTALLY PROHIBITED.

REV.	DESCRIPTION	DATE	BY
A	Version A	01-01-16	M.P.