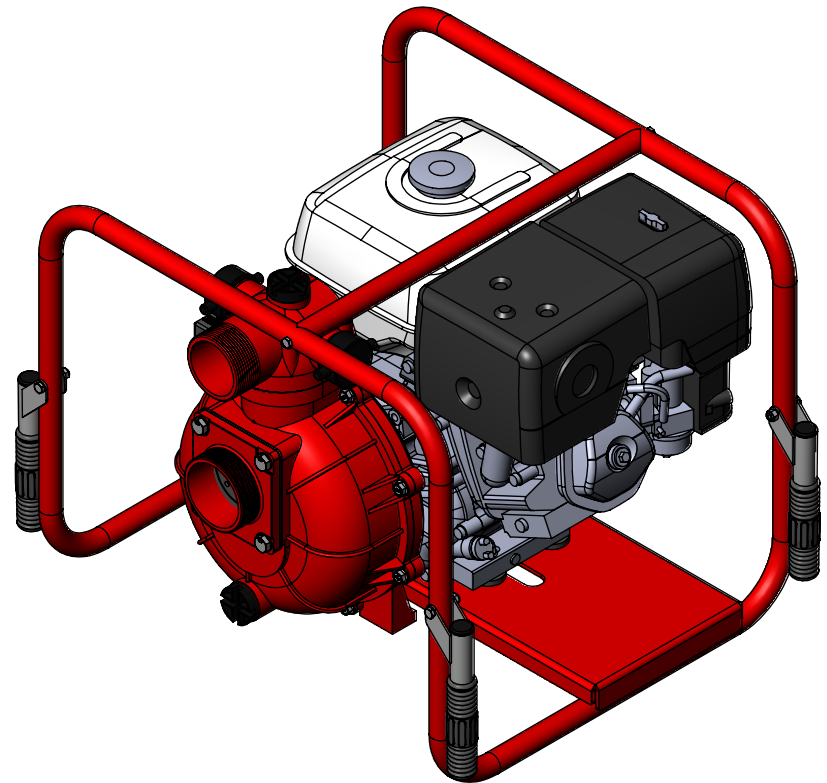
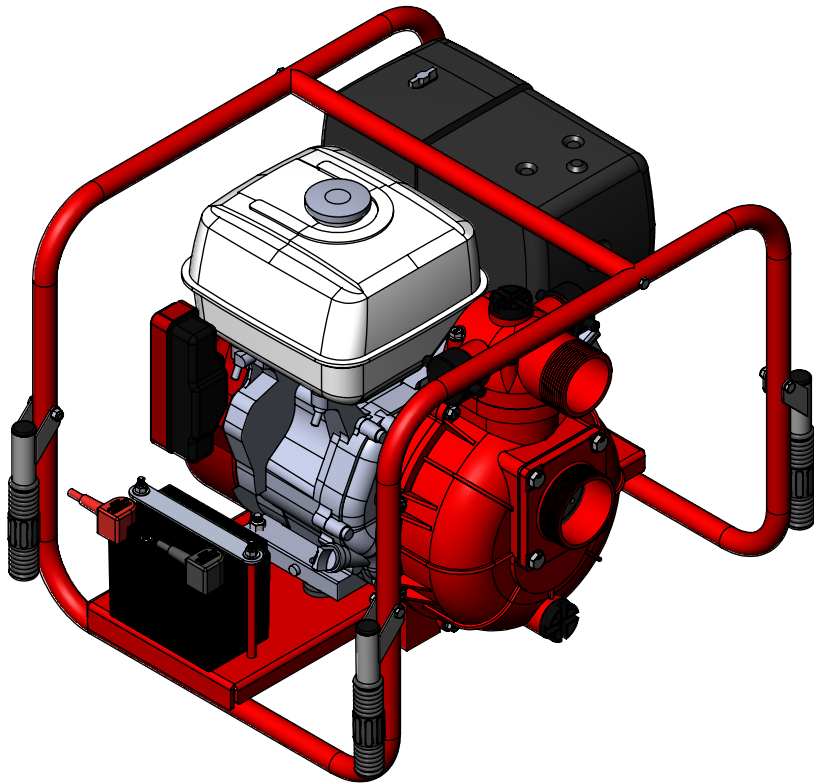
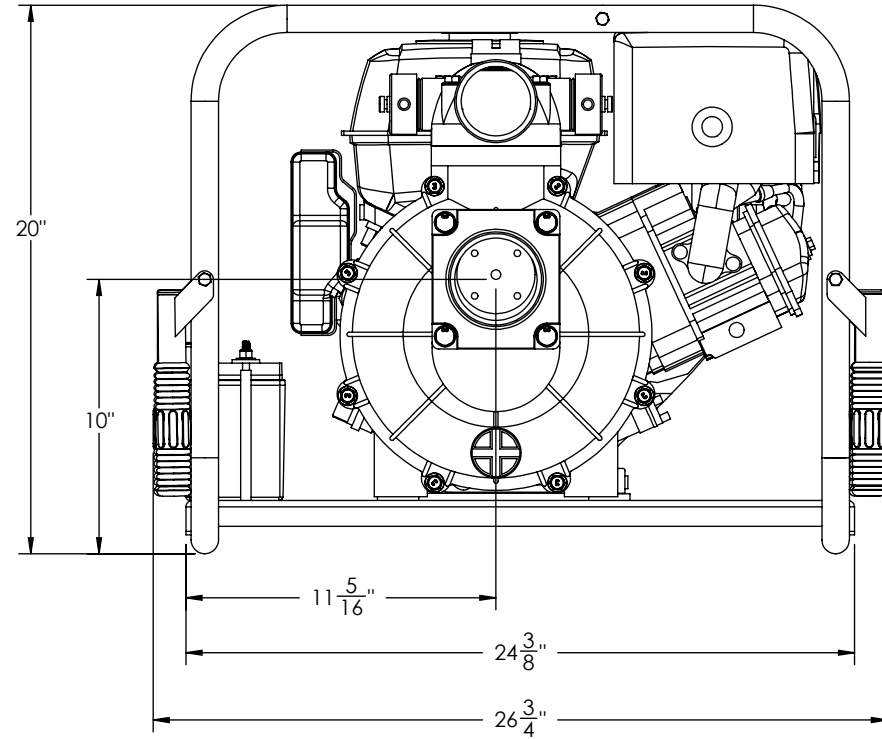
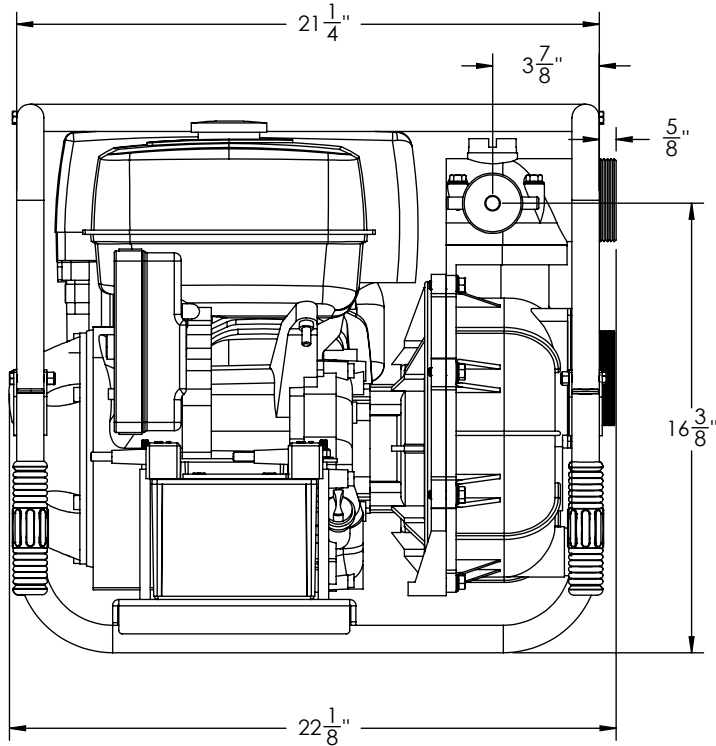


**PORTABLE FIRE PUMP**  
**PPF-13hpHND-EM-HP80**  
**GX390 HONDA WITH MID-RANGE PUMP**



**WE CAN CUSTOMIZE AS YOU WANT**



**WET WEIGHT: 125 lbs**



**nqa.**  
ISO 9001  
Registered  
Quality  
Management

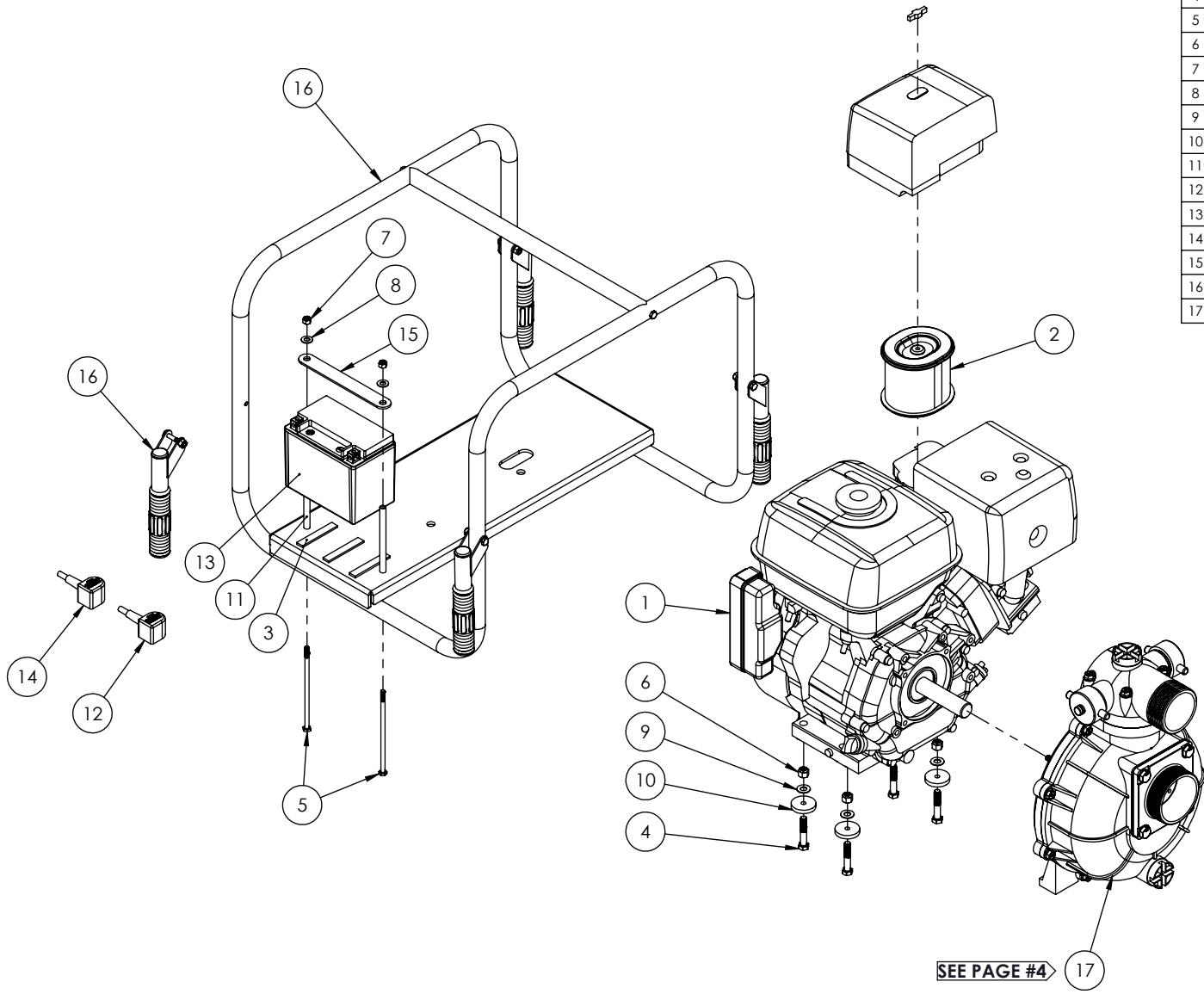
**CREATED**  
BY: M.P.  
DATE: 31-03-17  
**VERIFIED**  
BY: M.P.  
DATE: 31-03-17

**TITLE :** PFP-13hpHND-EM-HP80  
**FULL FRAME**  
**No:**  
**PO-34HP80-0701-A**

**WARNING**

THIS DOCUMENT REMAINS THE PROPERTY OF C.E.T. FIRE PUMPS MFG.  
ALL REPRODUCTION WITHOUT WRITTEN AGREEMENT FROM C.E.T. FIRE PUMPS MFG IS TOTALLY PROHIBITED.

REV.	DESCRIPTION	DATE	BY
A	Version A	01-04-17	M.P.



NO	PART NUMBER	DESCRIPTION	QTY
1	001-PP1-049	HONDA ENGINE (GX340) ELECTRIC/MANUAL	1
2	003-PP1-054	AIR FILTER	1
3	020-PP1-008	BATTERY FOAM TAPE 1/2" x 3"	3
4	022-PP1-009	HEX. BOLT 3/8"-16 x 2" (Gr.5 ZINC)	4
5	022-PP1-313	HEX. BOLT 1/4"-20 x 6"	2
6	023-PP1-001	HEX. NYLON LOCKNUT 3/8"-16	4
7	023-PP1-006	HEX. NYLON LOCKNUT 1/4"-20	2
8	024-PP1-004	FLAT WASHER 5/16" ID x 3/4" OD	2
9	024-PP1-009	FLAT WASHER 3/8" int. x 7/8" ext.	4
10	025-PP1-015	RUBBER WASHER 0.312" INT x 1.5" EXT. x 1/4" TK	4
11	040-PP1-005	TUBE for BATTERY ROD 1/4" x 4-3/4" RED	2
12	040-PP1-029	BATTERY CABLE (BLACK)	1
13	040-PP1-075	BATTERY 12v	1
14	040-PP1-543	BATTERY CABLE CET-R-10	1
15	057-PP1-267A	BATTERY RETAINER PLATE	1
16	PO-0000-1712	FULL FRAME	1
17	PO-00HP80-2101	PUMP-END ASSEMBLY	1



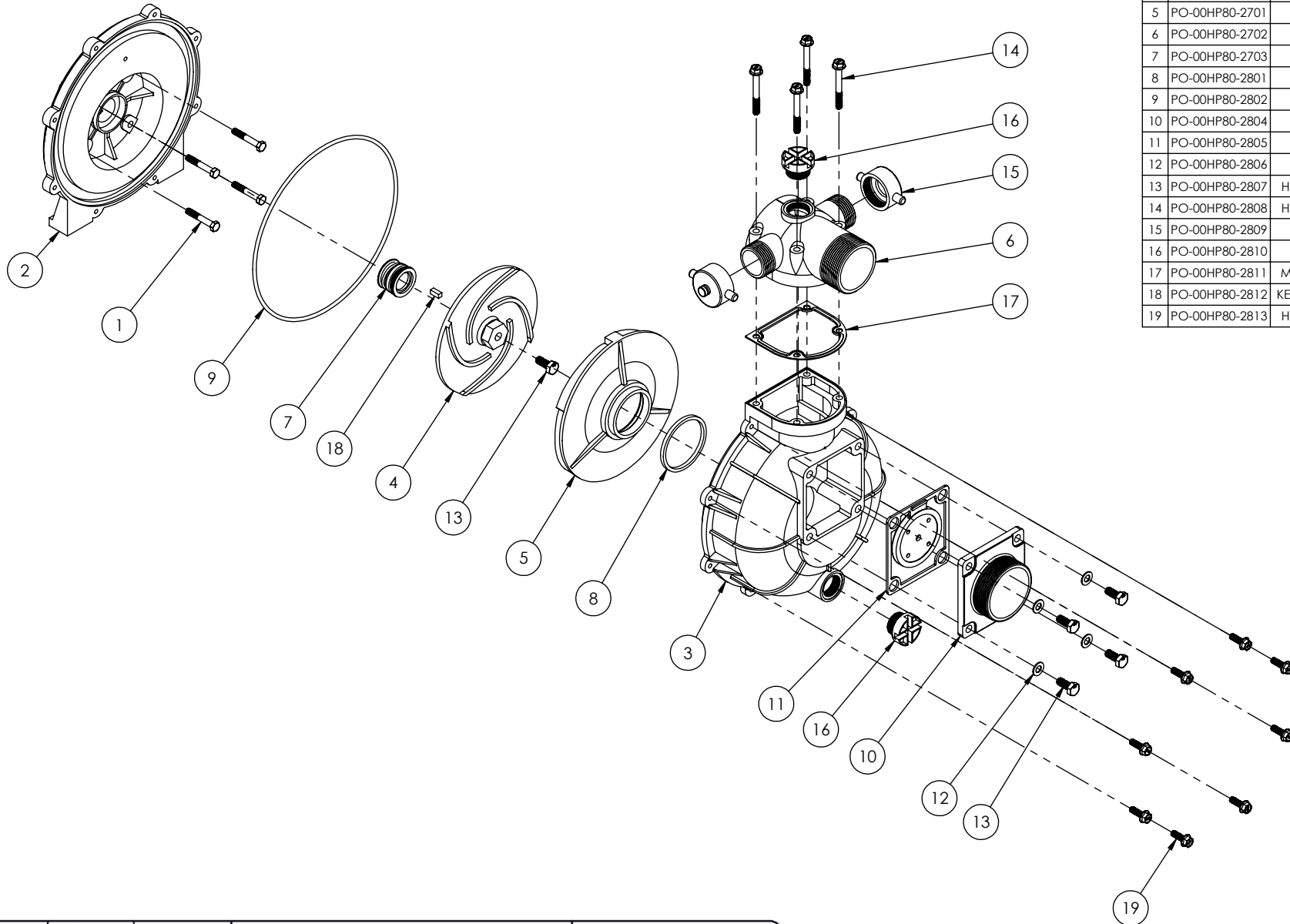
nqa.  
ISO 9001  
Registered  
Quality  
Management

CREATED  
BY: M.P.  
DATE: 31-03-17  
VERIFIED  
BY: M.P.  
DATE: 31-03-17

TITLE : PFP-13hpHND-EM-HP80  
FULL FRAME  
No: PO-34HP80-0701-A

WARNING  
THIS DOCUMENT REMAINS THE PROPERTY OF C.E.T. FIRE PUMPS MFG.  
ALL REPRODUCTION WITHOUT WRITTEN AGREEMENT FROM C.E.T. FIRE PUMPS MFG IS TOTALLY PROHIBITED.

A	Version A	01-04-17	M.P.
REV.	DESCRIPTION	DATE	BY



NO	PART NUMBER	DESCRIPTION	QTY
1	022-PP1-414	HEX. BOLT 5/16"-24 x 2" (SS)	4
2	PO-00HP80-2201	CASING	1
3	PO-00HP80-2301	COVER	1
4	PO-00HP80-2401	IMPELLER	1
5	PO-00HP80-2701	DIFFUSER	1
6	PO-00HP80-2702	MANIFOLD	1
7	PO-00HP80-2703	MECHANICAL SEAL	1
8	PO-00HP80-2801	RUBBER SEAL	1
9	PO-00HP80-2802	O-RING	1
10	PO-00HP80-2804	INLET	1
11	PO-00HP80-2805	INLET RUBBER SEAL	1
12	PO-00HP80-2806	WASHER	4
13	PO-00HP80-2807	HEX. BOLT M10 - 1.5 x 25	5
14	PO-00HP80-2808	HEX. BOLT M8 - 1.25 x 70	4
15	PO-00HP80-2809	CAP	2
16	PO-00HP80-2810	PLUG	2
17	PO-00HP80-2811	MANIFOLD RUBBER SEAL	1
18	PO-00HP80-2812	KEYWAY 1/4" x 1/4" x 5/8"	1
19	PO-00HP80-2813	HEX. BOLT M8 - 1.25 x 25	8



nqa.  
ISO 9001  
Registered  
Quality  
Management

CREATED  
BY: M.P.  
DATE: 31-03-17  
VERIFIED  
BY: M.P.  
DATE: 31-03-17

TITLE : **PUMP-END ASSEMBLY**  
**HP80**  
No: **PO-00HP80-2101**

**WARNING**

THIS DOCUMENT REMAINS THE PROPERTY OF C.E.T. FIRE PUMPS MFG.  
ALL REPRODUCTION WITHOUT WRITTEN AGREEMENT FROM C.E.T. FIRE PUMPS MFG IS TOTALLY PROHIBITED.

A	Version A	01-04-17	M.P.
REV.	DESCRIPTION	DATE	BY