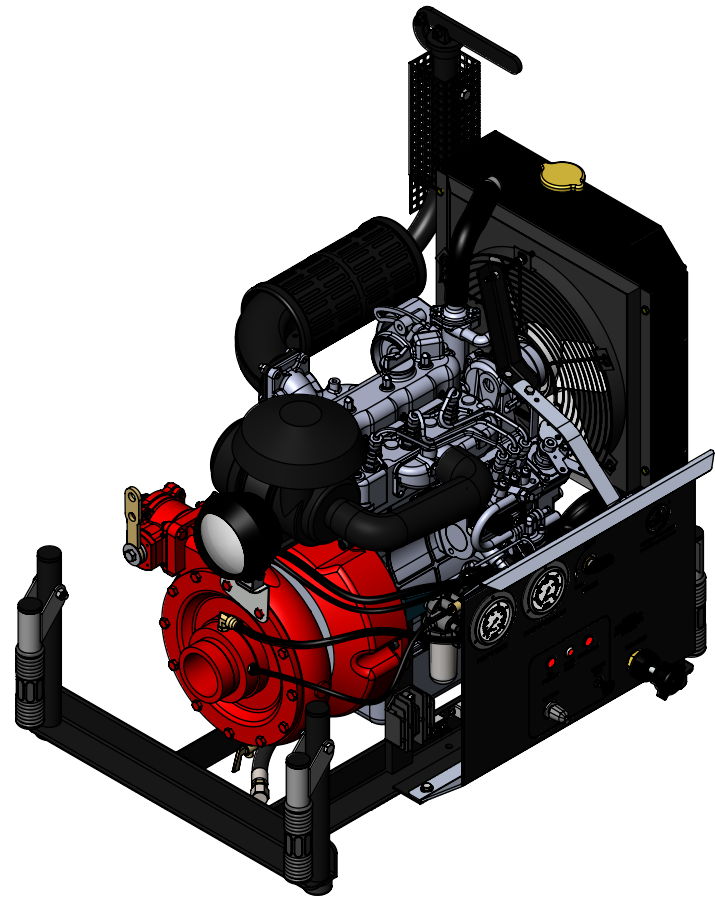
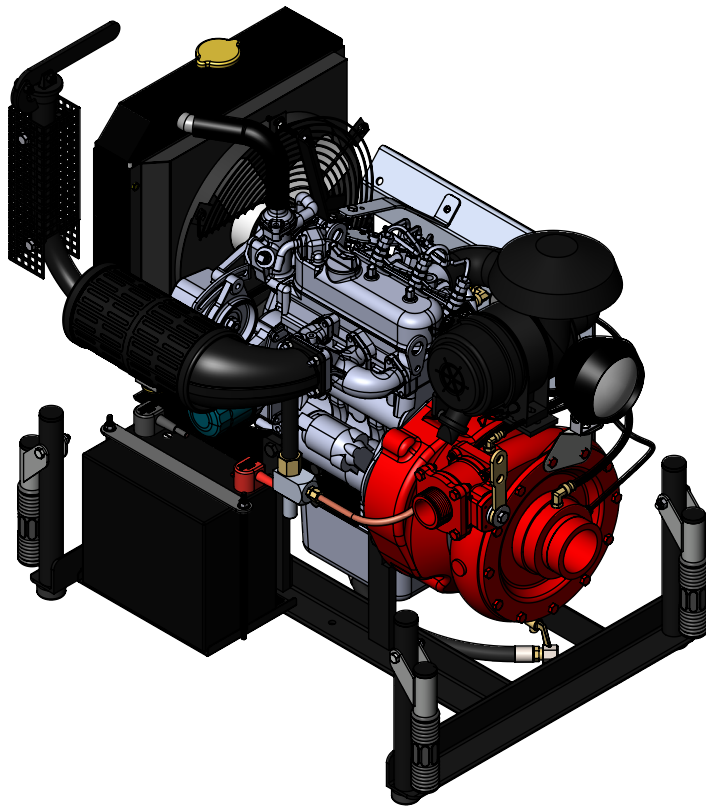
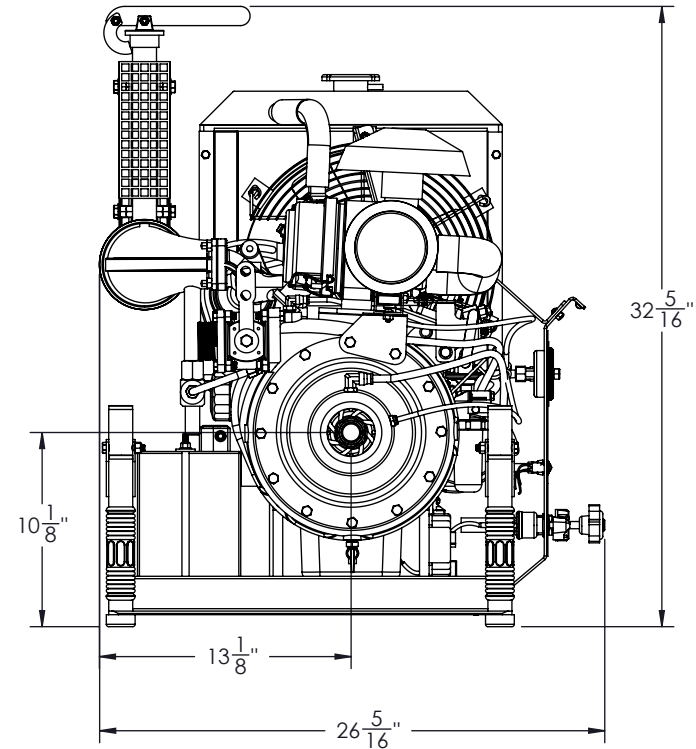
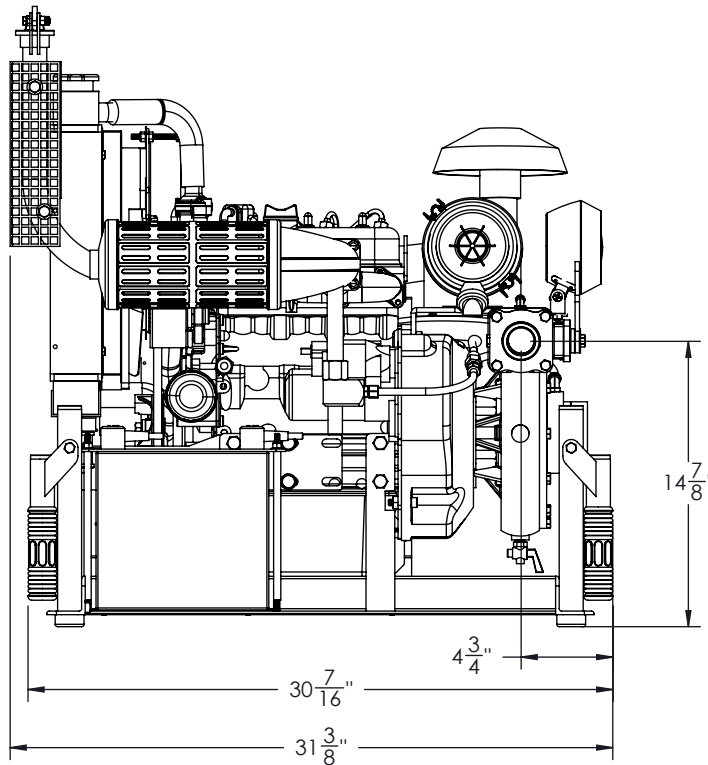


**PORTABLE FIRE PUMP**  
**PFP-21hpKBT-DSL-MR**  
**D722 KUBOTA WITH MID-RANGE PUMP**



**WE CAN CUSTOMIZE AS YOU WANT**



**WET WEIGHT: 326 Lbs**



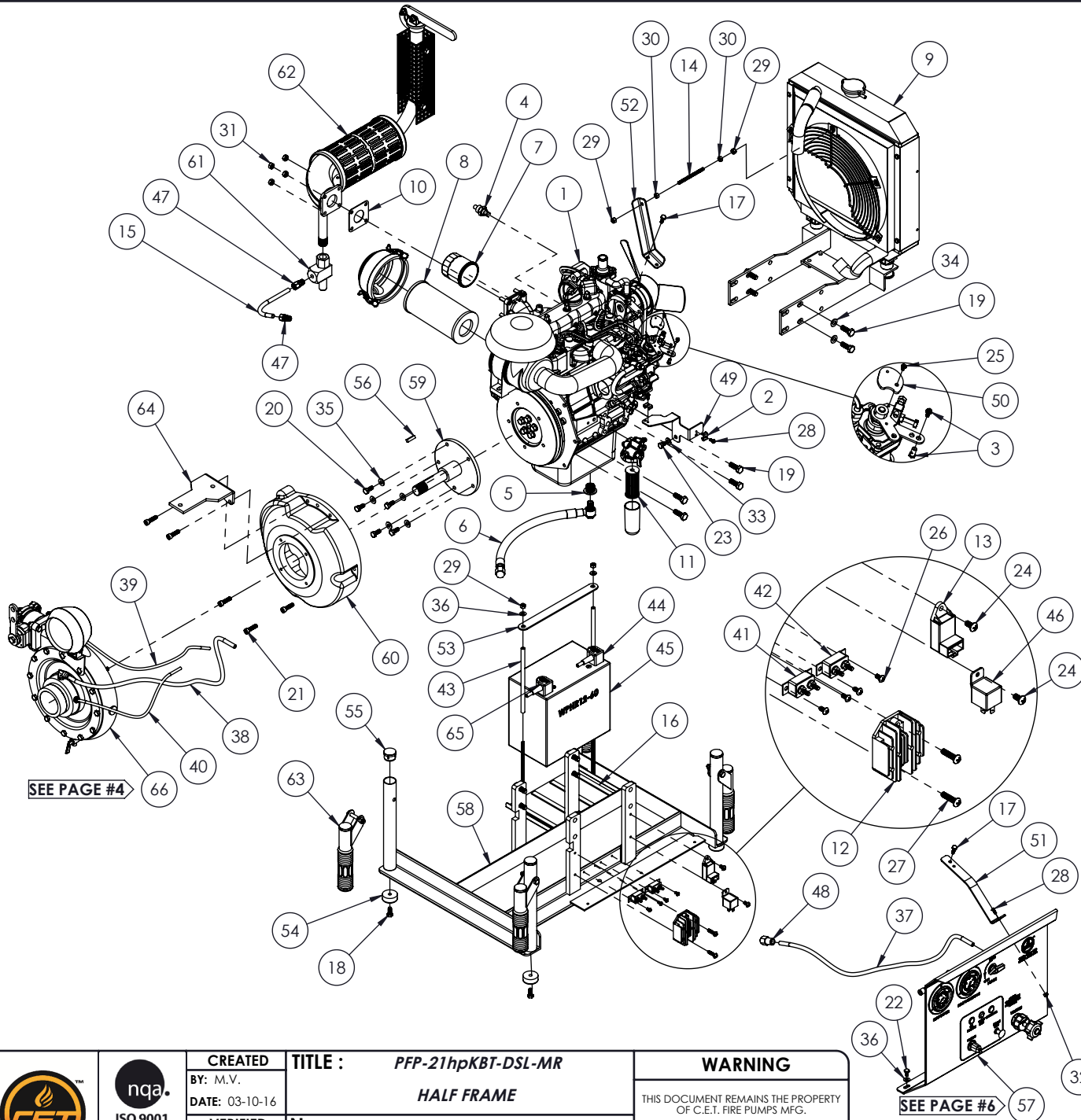
**CREATED**  
 BY: M.V.  
 DATE: 03-10-16  
**VERIFIED**  
 BY: -  
 DATE:

**TITLE :** PFP-21hpKBT-DSL-MR  
 HALF FRAME  
**No:** PO-44MR-0703-A



**WARNING**

THIS DOCUMENT REMAINS THE PROPERTY OF C.E.T. FIRE PUMPS MFG.  
 ALL REPRODUCTION WITHOUT WRITTEN AGREEMENT FROM C.E.T. FIRE PUMPS MFG IS TOTALLY PROHIBITED.

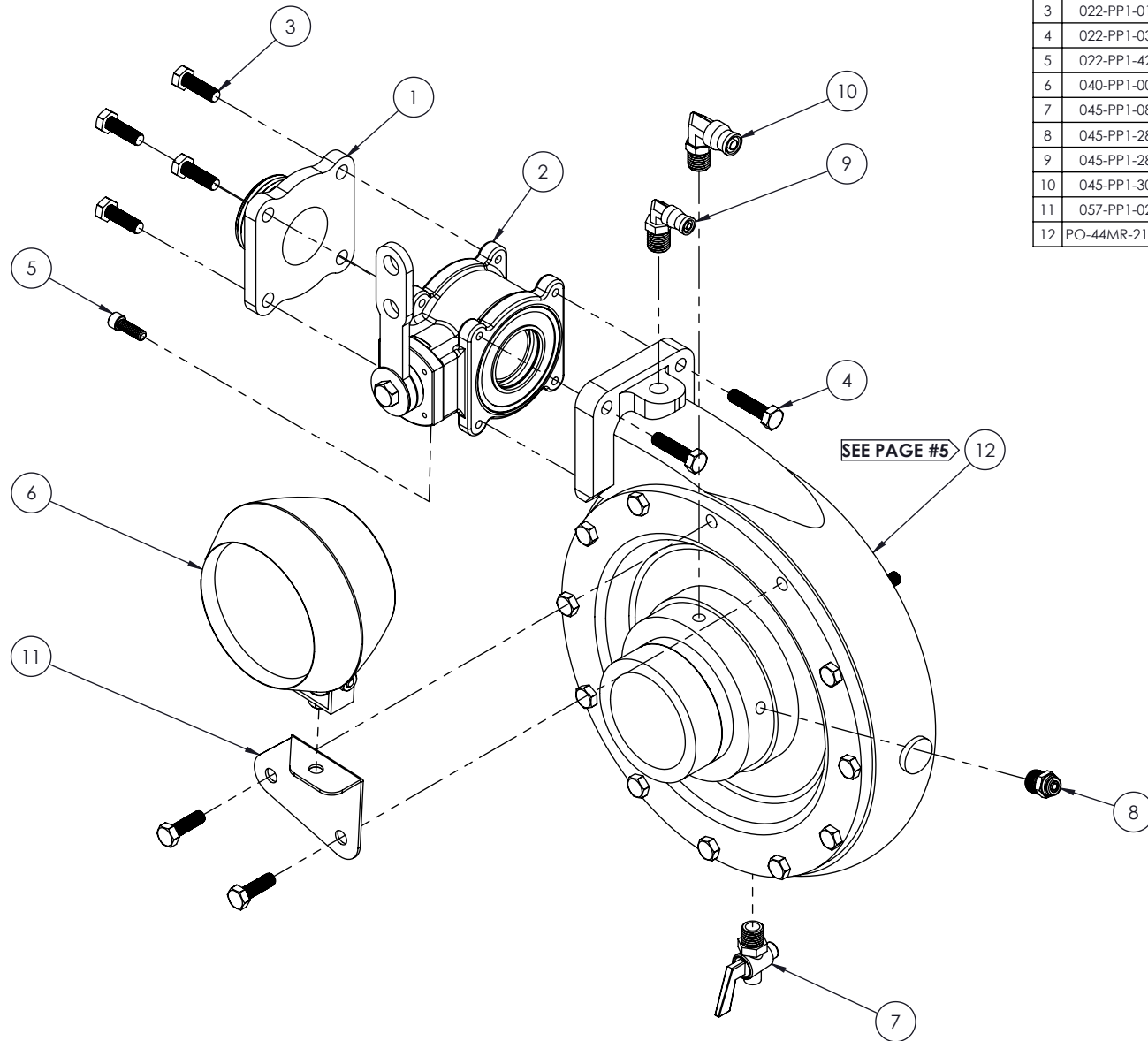
A	Version A	01-01-16	M.P.
REV.	DESCRIPTION	DATE	BY



NO	PART NUMBER	DESCRIPTION	QTY
1	001-PP1-020	21hp KUBOTA ENGINE (D722)	1
2	003-PP1-001	CLAMP	2
3	003-PP1-020	CLAMP SWIVEL	1
4	003-PP1-027	TEMPERATURE SWITCH	1
5	003-PP1-028	PLUG M22 x 1.5MLB	1
6	003-PP1-036	DRAIN 24" M14 x 1.5 W/ 3/8 NPT	1
7	003-PP1-045	OIL FILTER	1
8	003-PP1-121	AIR FILTER	1
9	003-PP1-122	RADIATOR	1
10	003-PP1-123	GASKET MUFFLER	1
11	003-PP1-132	FUEL FILTER	1
12	003-PP1-133	KUBOTA VOLTAGE REGULATOR RECTIFIER	1
13	003-PP1-134	GLOW PLUG TIMER	1
14	010-PP1-594	THREADED ROD 1/4"-20 x 3-1/2"	1
15	010-PP1-999	COPPER TUBE 3/8" x 8"	1
16	020-PP1-008	BATTERY FOAM TAPE 1/2" x 6"	4
17	022-PP1-006	HEX. BOLT 1/4"-20 x 3/4"	2
18	022-PP1-029	HEX. BOLT 5/16"-18 x 3/4"	4
19	022-PP1-303	HEX. BOLT M10-1.25 x 30	12
20	022-PP1-306	HEX. BOLT M8-1.25 x 20	5
21	022-PP1-311	SOCKET HEAD CAP SCREW M8-1.25 x 30	5
22	022-PP1-432	HEX. BOLT 1/4"-20 x 1/2" (SS)	3
23	022-PP1-444	HEX. BOLT 5/16"-18 x 1/2" (SS)	1
24	022-PP1-850	MACHINE SCREW 1/4"-20" x 1/2" (SS)	2
25	022-PP1-863	MACHINE SCREW 6-32 x 1/2" (SS)	1
26	022-PP1-879	MACHINE SCREW ROUND HEAD 10-24 x 3/8" (SS)	4
27	022-PP1-888	MACHINE SCREW 1/4"-20" x 1/2" (SS)	2
28	022-PP1-991	MACHINE SCREW ROUND HEAD 10-24 x 1/2" (SS)	3
29	023-PP1-006	HEX. NYLON LOCKNUT 1/4"-20	4
30	023-PP1-011	HEX. NUT 1/4"-20	2
31	023-PP1-013	HEX. NUT M8-1.25	4
32	023-PP1-408	HEX. NYLON LOCKNUT 10-24 (SS)	1
33	024-PP1-004	FLAT WASHER 5/16" ID x 3/4" OD	1
34	024-PP1-009	FLAT WASHER 3/8" int. x 7/8" ext.	4
35	024-PP1-400	FLAT WASHER 5/16" ID x 3/4" OD (SS)	5
36	024-PP1-404	FLAT WASHER 1/4" ID x 5/8" OD (SS)	5
37	035-EA1-002	HYDRAULIC HOSE 3/8" x 28"	1
38	035-EA1-002	HYDRAULIC HOSE 100R2 AT 3/8" x 24"	1
39	035-EA1-005	HYDRAULIC HOSE 1/4" x 22"	1
40	035-EA1-005	HYDRAULIC HOSE 100R2 AT 1/4" x 14"	1
41	040-EA1-004	BREAKER 15 AMP.	1
42	040-EA1-030	BREAKER 30 AMP.	1
43	040-PP1-005	TUBE for BATTERY ROD 1/4" x 7-3/4" BLACK	2
44	040-PP1-029	BATTERY CABLE (BLACK)	1
45	040-PP1-037	SEALED BATTERY	1
46	040-PP1-410	RELAY	1
47	045-PP1-131	COMP. CONNECTOR 3/8" TUBE x 1/4" NPT-M	2
48	045-PP1-312	PIPE CONNECTOR 3/8" TUBE x 1/4" D.O.T.	1
49	057-PP1-063	CHOKE BRACKET	1
50	057-PP1-064	TROTTLER BRACKET	1
51	057-PP1-098B	CONTROL PANEL BRACKET	1
52	057-PP1-248	RADIATOR BRACKET	1
53	057-PP1-305	BATTERY RETAINER PLATE	1
54	060-PP1-014	FLAT TOP RECESSED BUMPER	4
55	060-PP1-072	BLACK PLASTIC CAP	4
56	060-PP1-163	SHAFT KEY 1/4"	1
57	PO-0000-1613	CONTROL PANEL	1
58	PO-0000-1706A	HALF FRAME	1
59	PO-0000-3201B	MOTOR'S SHAFT	1
60	PO-0000-3701	BELL HOUSING	1
61	PO-0000-4101	VENTURY	1
62	PO-0000-5706	MUFFLER	1
63	PO-0000-6605	LARGE HANDLE	4
64	PO-0000-6707	AIR FILTER BOX BRACKET	1
65	PO-0000-9818	BATTERY CABLE	1
66	PO-44MR-0803A	PUMP END ACCESSORIES ASSEMBLY	1

		<b>CREATED</b> BY: M.V. DATE: 03-10-16	<b>TITLE :</b> PFP-21hpKBT-DSL-MR HALF FRAME	<b>WARNING</b> THIS DOCUMENT REMAINS THE PROPERTY OF C.E.T. FIRE PUMPS MFG. ALL REPRODUCTION WITHOUT WRITTEN AGREEMENT FROM C.E.T. FIRE PUMPS MFG IS TOTALLY PROHIBITED.	A REV.	Version A DESCRIPTION	01-01-16 DATE	M.P. BY
		<b>VERIFIED</b> BY: - DATE:	<b>No:</b> <b>PO-44MR-0703-A</b>					

NO	PART NUMBER	DESCRIPTION	QTY
1	002-PP1-301	FLANGE 1-1/2"	1
2	005-PP1-016	FIRE GRADE VALVE 1-1/2"	1
3	022-PP1-011	HEX. BOLT 5/16"-18 x 1"	4
4	022-PP1-031	HEX. BOLT 5/16"-18 x 1-1/4"	3
5	022-PP1-426	SOCKET HEAD CAP SCREW 1/4"-20 x 3/4" (SS)	1
6	040-PP1-004	PAR36 LIGHT	1
7	045-PP1-086	DRAIN VALVE 1/4" NPT-M	1
8	045-PP1-286	DOT CONNECTOR TUBE 1/4" TO PIPE 1/4" NPT-M	1
9	045-PP1-288	SWIVEL 90 DEG. DOT 1/4" TO 1/4" NPT-M	1
10	045-PP1-306	SWIVEL 90 DEG. DOT 3/8" TO 1/4" NPT-M	1
11	057-PP1-029	LIGHT BRACKET	1
12	PO-44MR-2101A	PUMP END ASSEMBLY	1



nqa.  
ISO 9001  
Registered  
Quality  
Management

CREATED  
BY: M.V.  
DATE: 23-06-16  
VERIFIED  
BY:  
DATE:

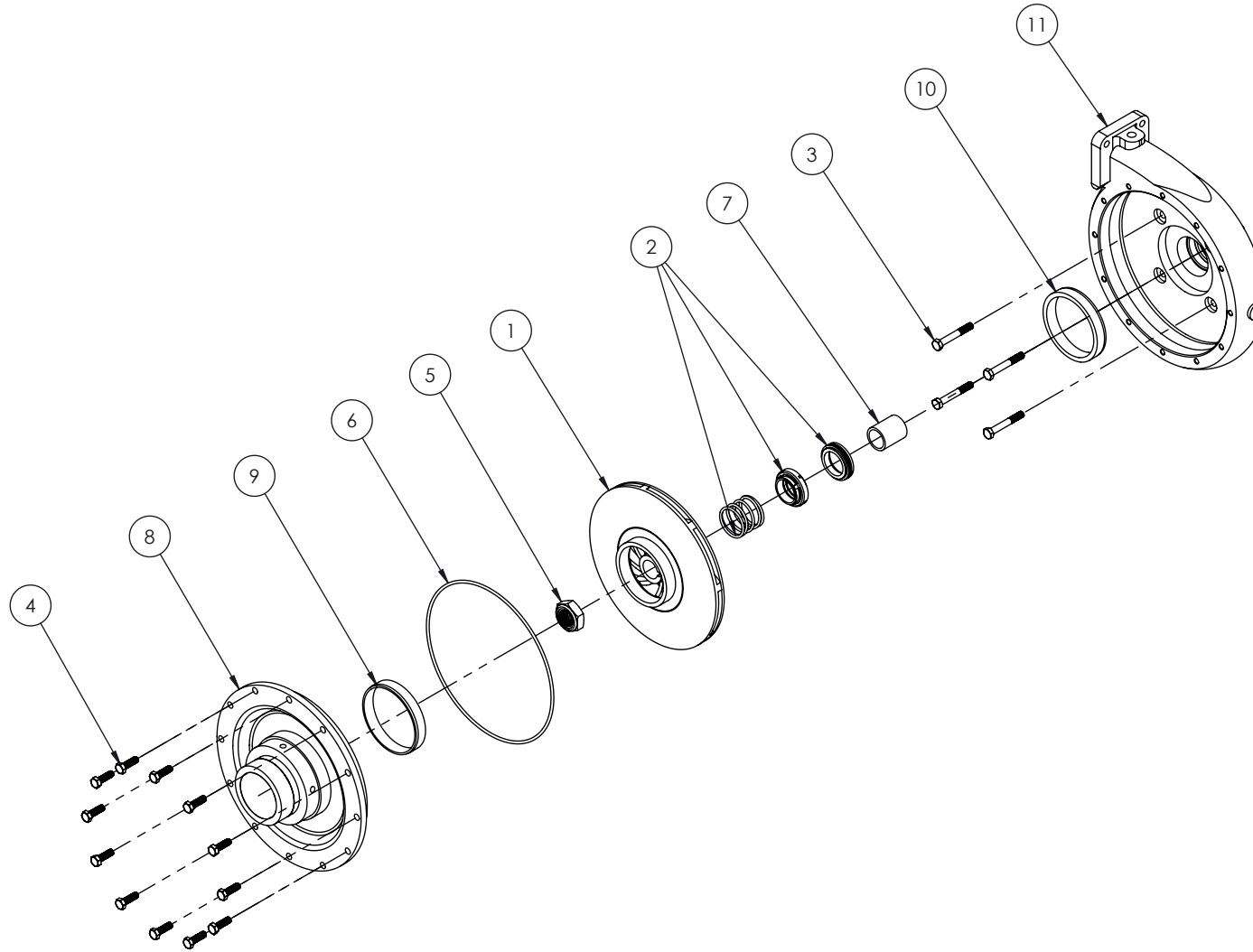
TITLE : PUMP END ACCESSORIES ASSEMBLY  
21hpKBT-DSL-MR  
No: PO-44MR-0803A

**WARNING**

THIS DOCUMENT REMAINS THE PROPERTY OF C.E.T. FIRE PUMPS MFG.  
ALL REPRODUCTION WITHOUT WRITTEN AGREEMENT FROM C.E.T. FIRE PUMPS MFG IS TOTALLY PROHIBITED.

A	Version A	01-01-16	M.P.
REV.	DESCRIPTION	DATE	BY

NO	PART NUMBER	DESCRIPTION	QTY
1	002-PP1-012	IMPELLER MR	1
2	020-PP1-002	MECHANICAL SEAL 1-1/4" (SS)	1
3	022-PP1-401	HEX. BOLT 5/16"-24 x 2-1/4" (SS)	4
4	022-PP1-403	HEX. BOLT 5/16"-18 x 1" (SS)	12
5	023-PP1-413	HEX. NYLON LOCK NUT 1"-8 (SS)	1
6	052-PP1-268	O'RING	1
7	060-PP1-069A	BUSHING	1
8	PO-0000-2301	COVER MR	1
9	PO-0000-2601	WATER RING COVER	1
10	PO-0000-2602	WATER RING CASING	1
11	PO-00MR-2201A	CASING MR	1



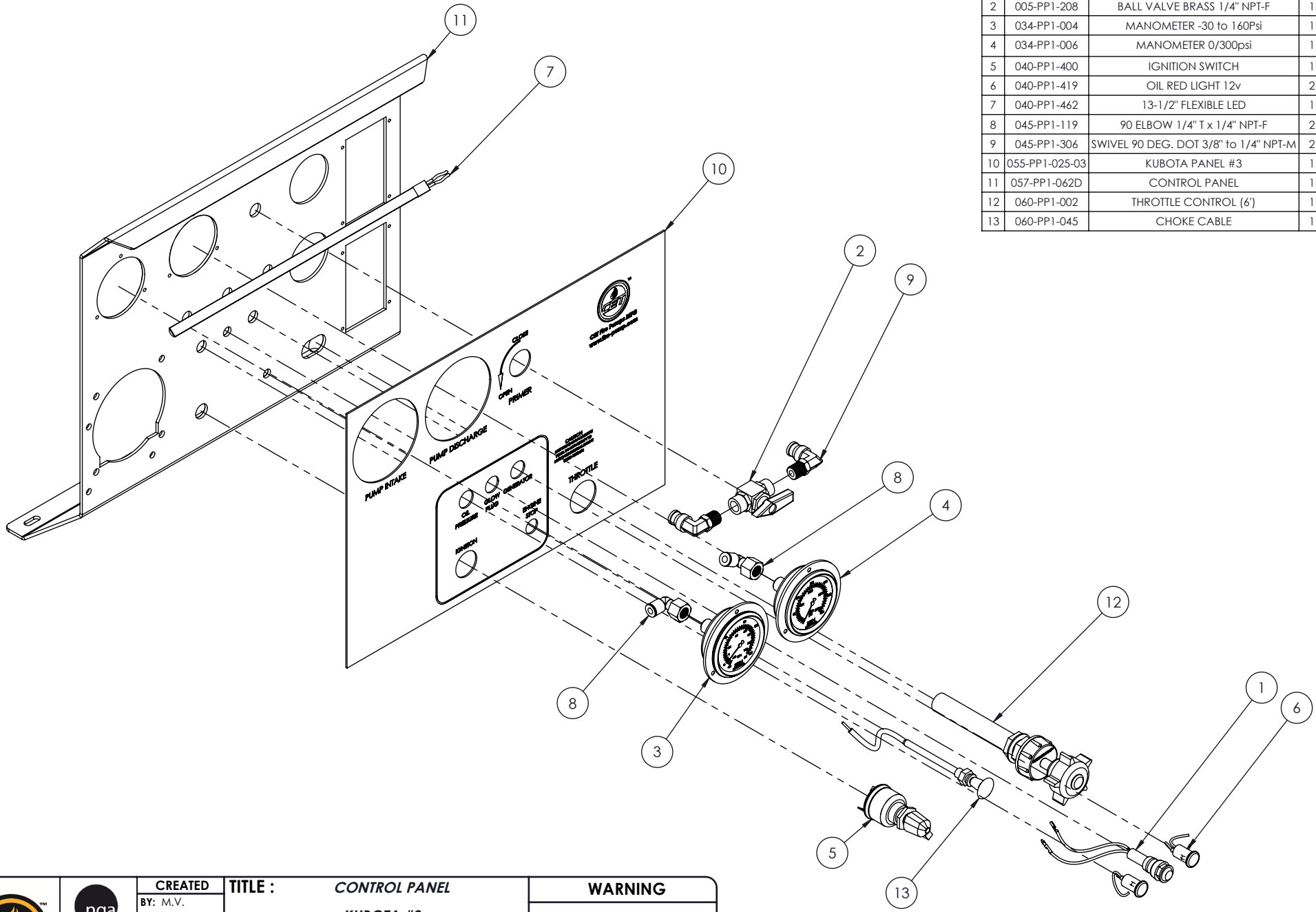
**CREATED**  
 BY: M.V.  
 DATE: 10-07-13  
**VERIFIED**  
 BY: A.B.  
 DATE:

**TITLE :** PUMP END ASSEMBLY  
 21hpKBT-DSL-MR  
**No:** PO-44MR-2101A

**WARNING**  
 THIS DOCUMENT REMAINS THE PROPERTY OF C.E.T. FIRE PUMPS MFG.  
 ALL REPRODUCTION WITHOUT WRITTEN AGREEMENT FROM C.E.T. FIRE PUMPS MFG IS TOTALLY PROHIBITED.

REV.	DESCRIPTION	DATE	BY
A	Version A	01-01-16	M.P.

NO	PART NUMBER	DESCRIPTION	QTY
1	003-PP1-135	GLOW PLUG LIGHT	1
2	005-PP1-208	BALL VALVE BRASS 1/4" NPT-F	1
3	034-PP1-004	MANOMETER -30 to 160Psi	1
4	034-PP1-006	MANOMETER 0/300psi	1
5	040-PP1-400	IGNITION SWITCH	1
6	040-PP1-419	OIL RED LIGHT 12v	2
7	040-PP1-462	13-1/2" FLEXIBLE LED	1
8	045-PP1-119	90 ELBOW 1/4" T x 1/4" NPT-F	2
9	045-PP1-306	SWIVEL 90 DEG. DOT 3/8" to 1/4" NPT-M	2
10	055-PP1-025-03	KUBOTA PANEL #3	1
11	057-PP1-062D	CONTROL PANEL	1
12	060-PP1-002	THROTTLE CONTROL (6')	1
13	060-PP1-045	CHOKE CABLE	1



**nqa.**  
 ISO 9001  
 Registered  
 Quality  
 Management

**CREATED**  
 BY: M.V.  
 DATE: 03-10-16

**VERIFIED**  
 BY: -  
 DATE:

**TITLE :** CONTROL PANEL  
 KUBOTA #3

**No:** PO-0000-1613

**WARNING**

THIS DOCUMENT REMAINS THE PROPERTY OF C.E.T. FIRE PUMPS MFG.

ALL REPRODUCTION WITHOUT WRITTEN AGREEMENT FROM C.E.T. FIRE PUMPS MFG IS TOTALLY PROHIBITED.

REV.	DESCRIPTION	DATE	BY