
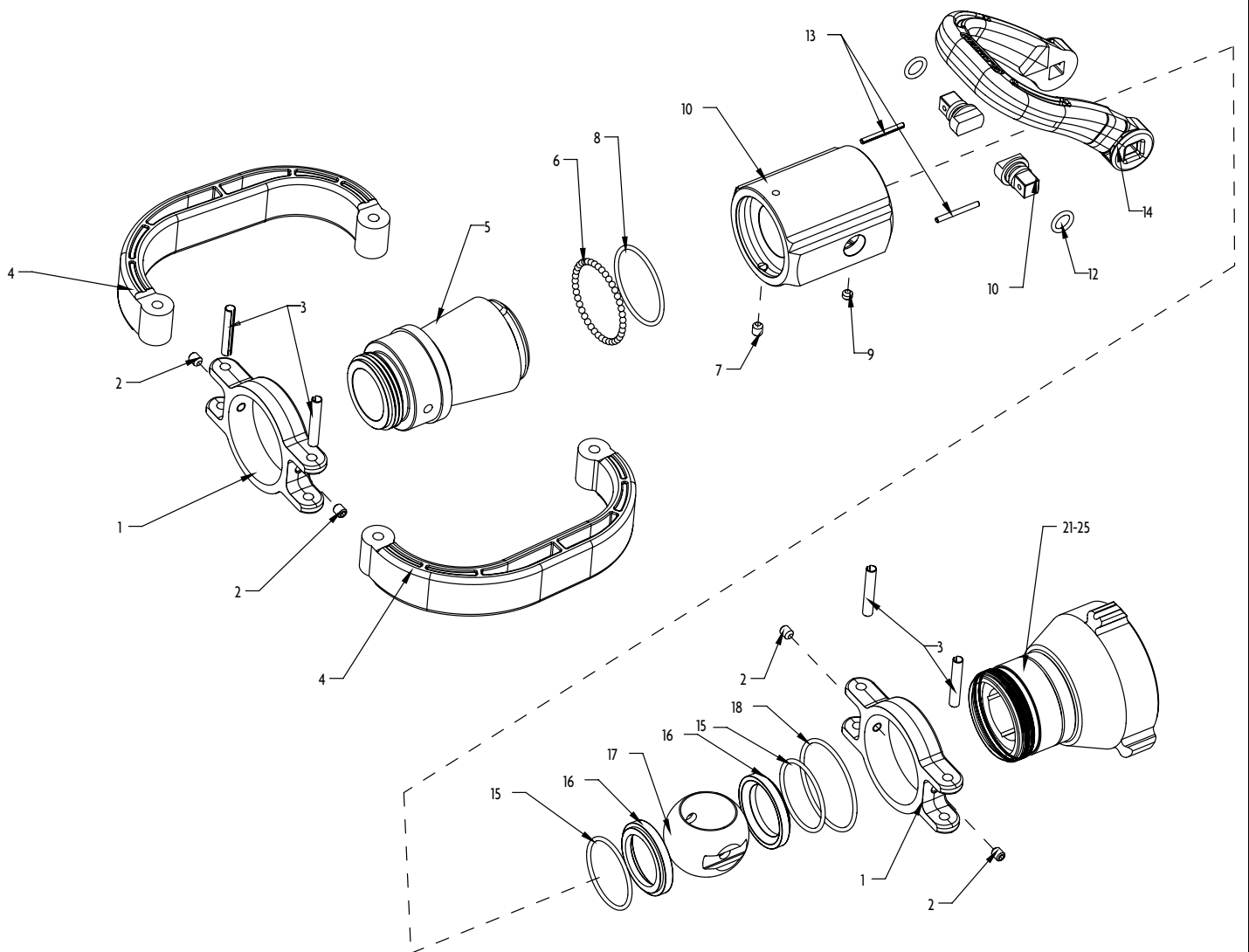


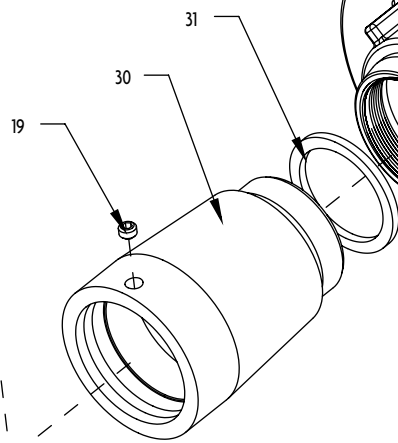
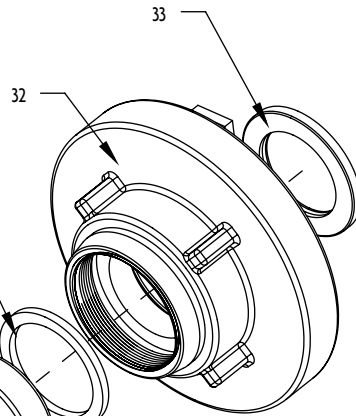
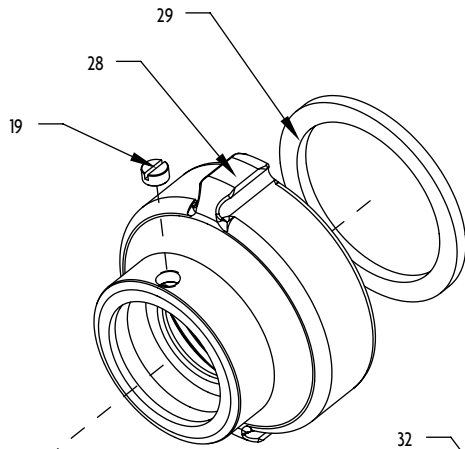
ASSEMBLY NOTES:

Use Parker O-Ring Lubricant
or equivalent petroleum based lubricant on all O-Rings

 Use Loctite 222 or 113 PermaBond

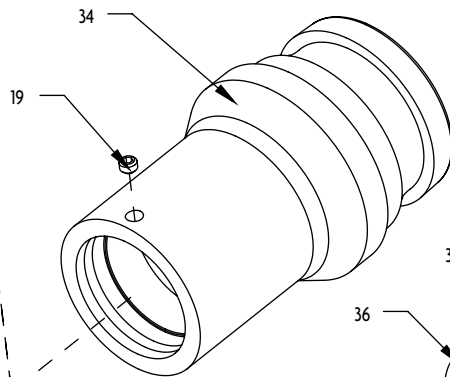


STYLE 1390
2.5" SWIVEL

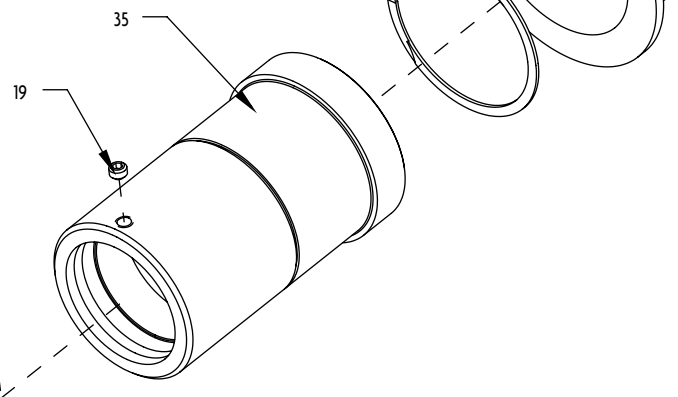
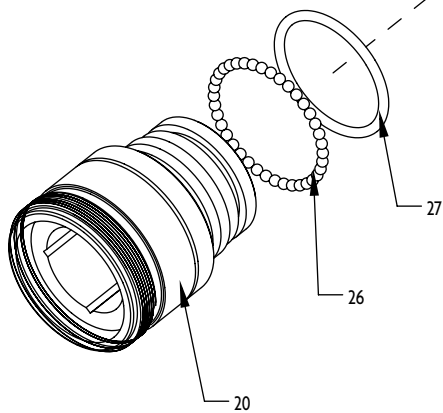


65mm & 75mm
STORZ

B.I.M. ADAPTER



J.I.M. ADAPTER





**STYLE 1390 AND 2390
AXIAL PLAYPIPE
TECHNICAL SERVICE PARTS LIST**

ITEM NO.	DESCRIPTION	PART NUMBER	QUANTITY	
			1390	2390
1	HANDLE RING	101971	2	-
1	HANDLE RING	115368	-	2
2	SET SCREW	765002	4	4
3	ROLL PIN	744076	4	4
4	HANDLE ASSEMBLY	101245	2	-
4	HANDLE ASSEMBLY	721329	-	2
5	BODY (NH)*	101969	1	-
5	BODY (NPSH)*	101970	1	-
5	BODY (NH)*	104129	-	1
5	BODY (NPSH)*	104130	-	1
6	LOCKING BALLS	†	41	41
7	SET SCREW	765015	1	-
7	SET SCREW	765002	-	1
8	O-RING	757193	1	1
9	SET SCREW	765008	1	1
10	SHUTOFF BODY	102294	1	-
10	SHUTOFF BODY	107976	-	1
11	TRUNNION	102291	2	-
11	TRUNNION	107860	-	2
12	O-RING	757198	2	2
13	ROLL PIN	744062	2	2
14	HANDLE (BLACK) [A]	721427	1	1
14	METAL HANDLE	122551	1	1
15	O-RING	757197	2	2
16	SEAT	769243	2	2
17	BALL CELCON	704029	1	1
17	BALL SST (OPTIONAL)	123393	1	1
18	O-RING	757196	1	1
19	SWIVEL PLUG	742023	1	-
20	SWIVEL ADAPTER	101968	1	-
21-25	SWIVEL SUB ASSEMBLY (NH)*	23900052	-	1
21-25	SWIVEL SUB ASSEMBLY (NPSH)*	23900053	-	1
26	BALL BEARINGS	‡	25	-
27	O-RING	757182	1	-
28	SWIVEL (NH)*	101972	1	-
29	GASKET	717043	1	1
30	ADAPTER STORZ 1.5"	117426	-	1
30	ADAPTER STORZ 2.5"	117427	-	1
31	STORZ GASKET 65mm	714178	-	1
31	STORZ GASKET 75mm	714179	-	1
32	FITTING 65mm STORZ	45150003	-	1
32	FITTING 75mm STORZ	104393	-	1
33	SEAL 65mm STORZ	769330	-	1
33	SEAL 75mm STORZ	769331	-	1
34	BIM ADAPTER	107905	-	1
35	65mm JIM ADAPTER	122174	-	1
36	RETAINING RING	756186	-	1
37	PUSH RING	122173	-	1

*For other threads order by description and thread size (ODM and TPI) or by Akron thread code.

†Packet of 50 Locking Balls - P/N 109042

‡Packet of 50 Ball Bearings - P/N 109041

[A] For other colored Handle Please Contact Akron Brass Customer Service



PHONE: 330.264.5678 or 800.228.1161 | FAX: 330.264.2944 or 800.531.7335 | akronbrass.com

REVISED: 8/15

WARRANTY AND DISCLAIMER: We warrant Akron Brass products for a period of five (5) years after purchase against defects in materials or workmanship. Akron Brass will repair or replace product which fails to satisfy this warranty. Repair or replacement shall be at the discretion of Akron Brass. Products must be promptly returned to Akron Brass for warranty service.

We will not be responsible for: wear and tear; any improper installation, use, maintenance or storage; negligence of the owner or user; repair or modification after delivery; damage; failure to follow our instructions or recommendations; or anything else beyond our control. WE MAKE NO WARRANTIES, EXPRESS OR IMPLIED, OTHER THAN THOSE INCLUDED IN THIS WARRANTY STATEMENT, AND WE DISCLAIM ANY IMPLIED WARRANTY OF MERCHANTABILITY OR FITNESS FOR ANY PARTICULAR PURPOSE. Further, we will not be responsible for any consequential, incidental or indirect damages (including, but not limited to, any loss of profits) from any cause whatsoever. No person has authority to change this warranty.

© Akron Brass Company. 2011 All rights reserved. No portion of this can be reproduced without the express written consent of Akron Brass Company.