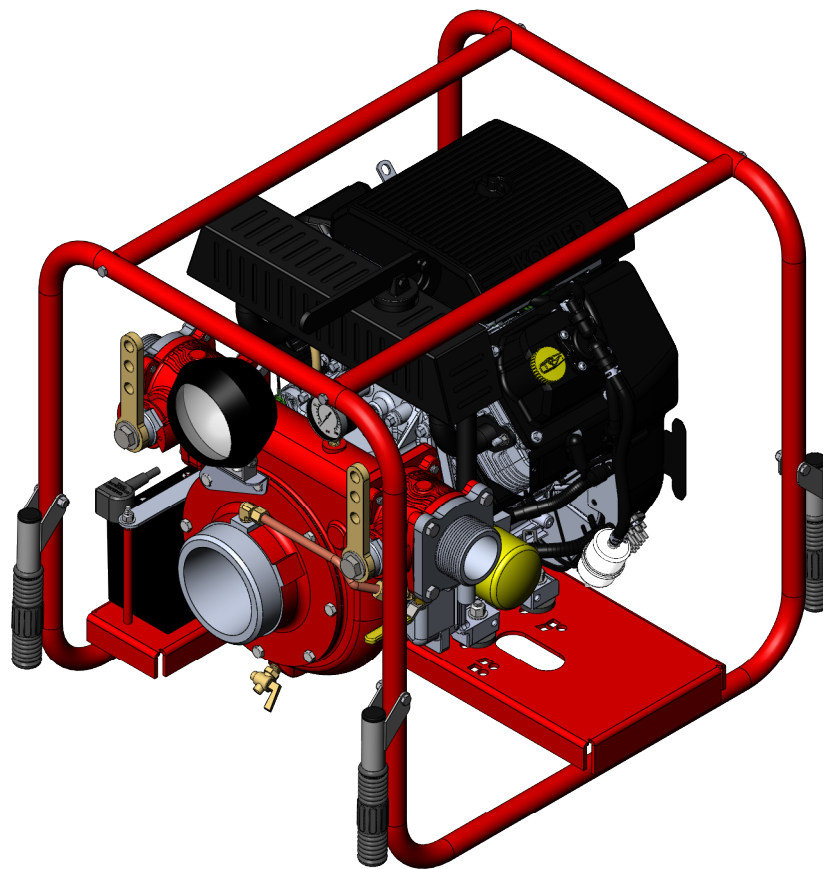
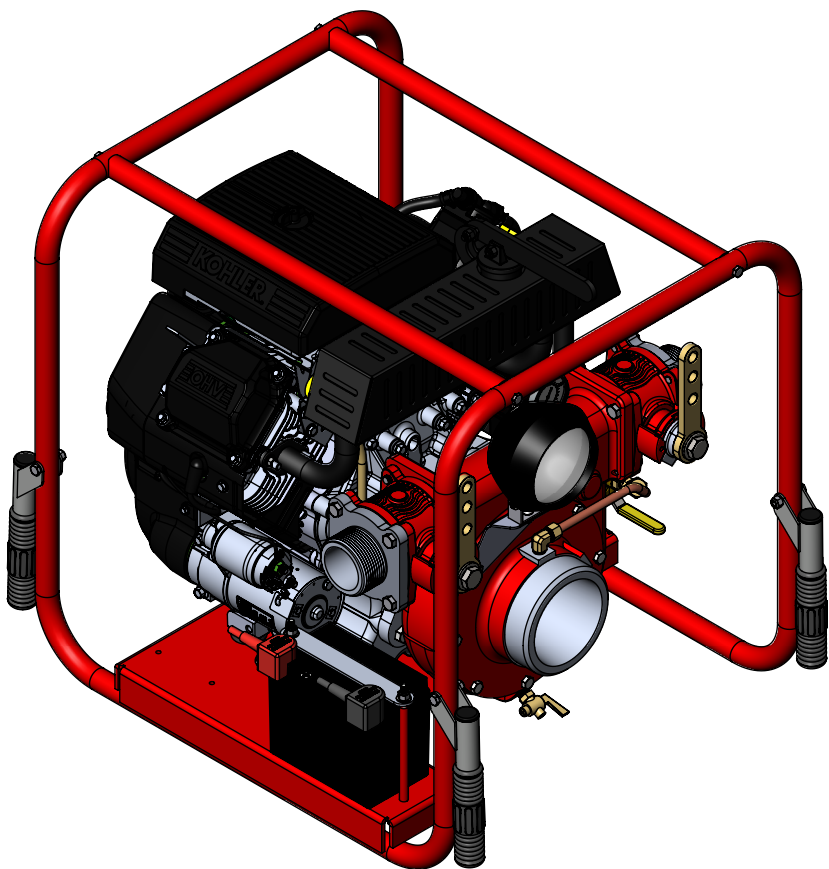
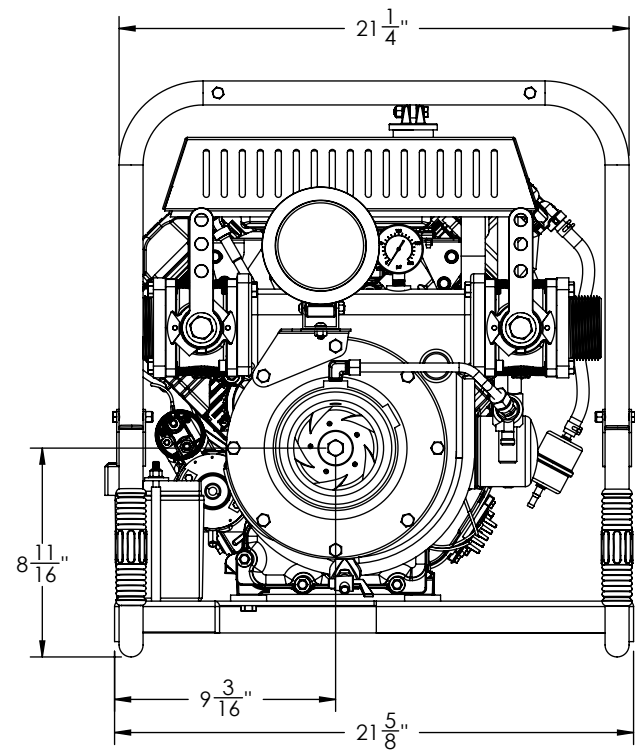
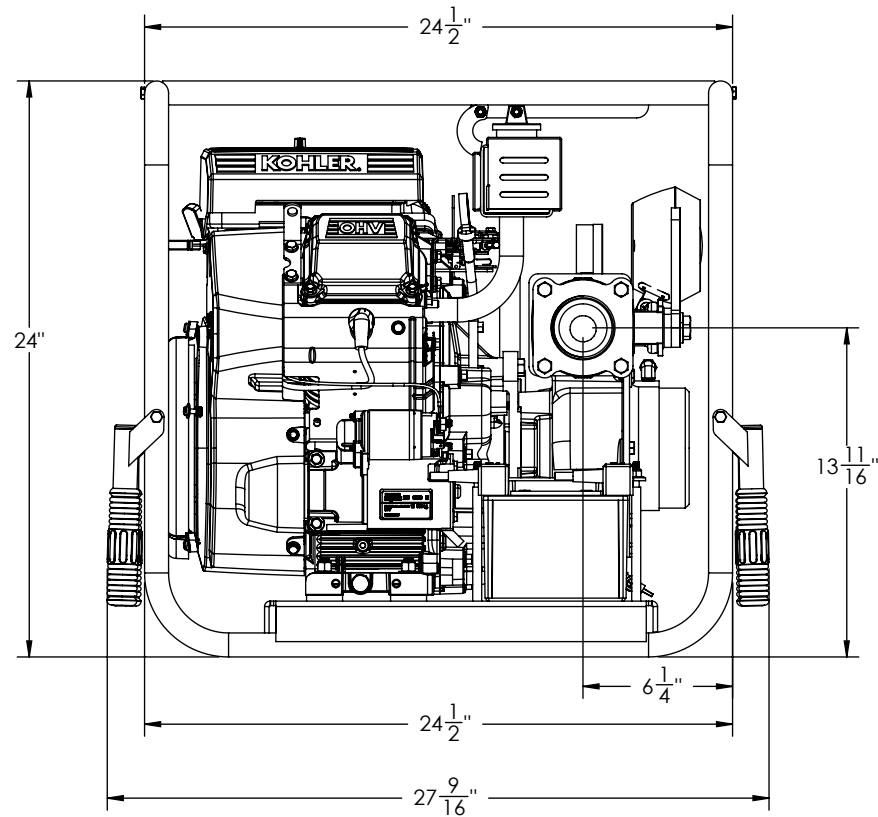


PORTABLE FIRE PUMP
PFP-27hpKHL-2D
CH740 KOHLER WITH HIGH-VOLUME PUMP



WE CAN CUSTOMIZE AS YOU WANT



WET WEIGHT : 194lbs



CREATED
BY: M.P.
DATE: 13-04-16

VERIFIED
BY: M.P.
DATE: 13-04-16

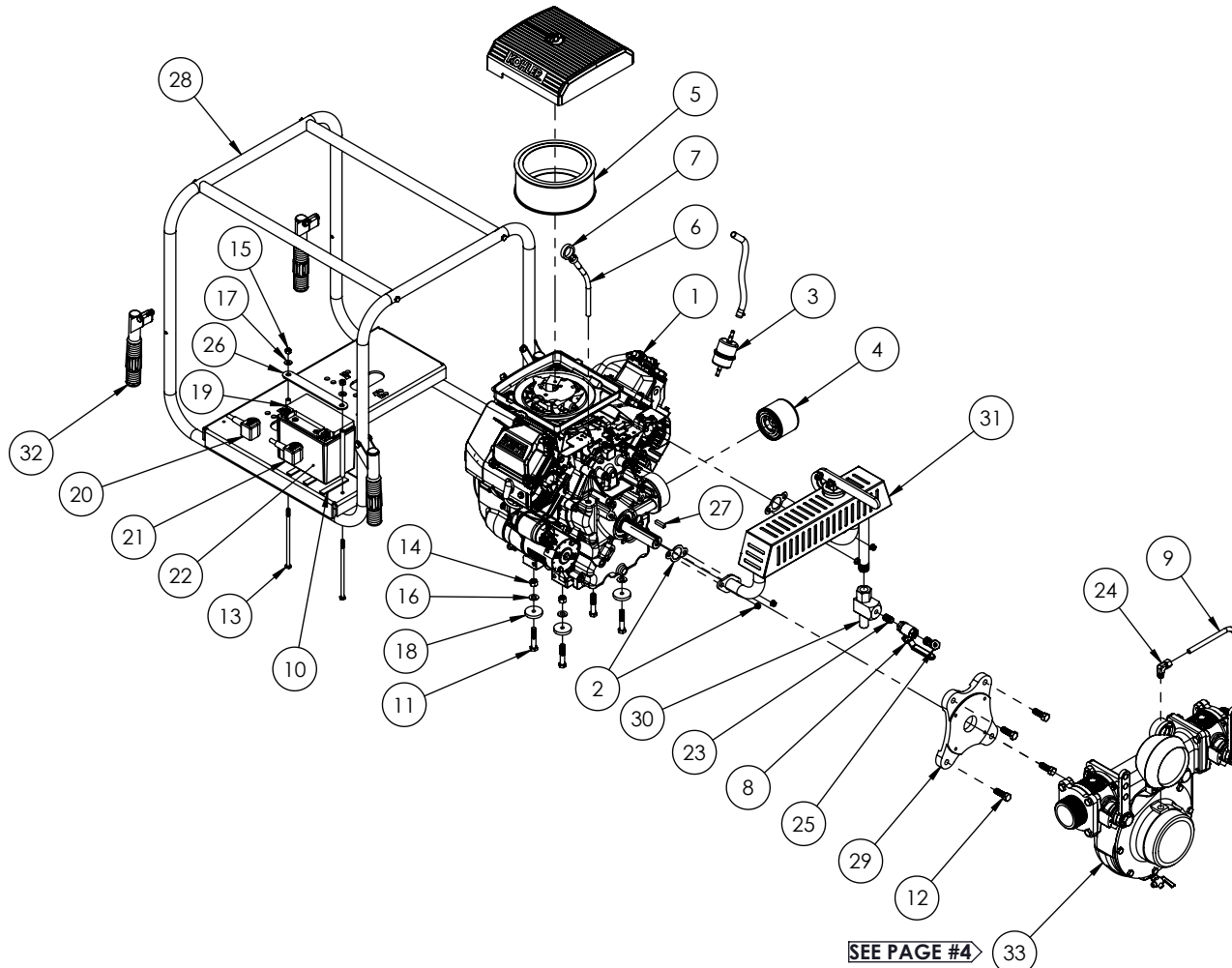
TITLE : PFP-27hpKHL-2D
FULL FRAME

No: PO-502D-0701-A



WARNING

THIS DOCUMENT REMAINS THE PROPERTY OF C.E.T. FIRE PUMPS MFG.
ALL REPRODUCTION WITHOUT WRITTEN AGREEMENT FROM C.E.T. FIRE PUMPS MFG IS TOTALLY PROHIBITED.

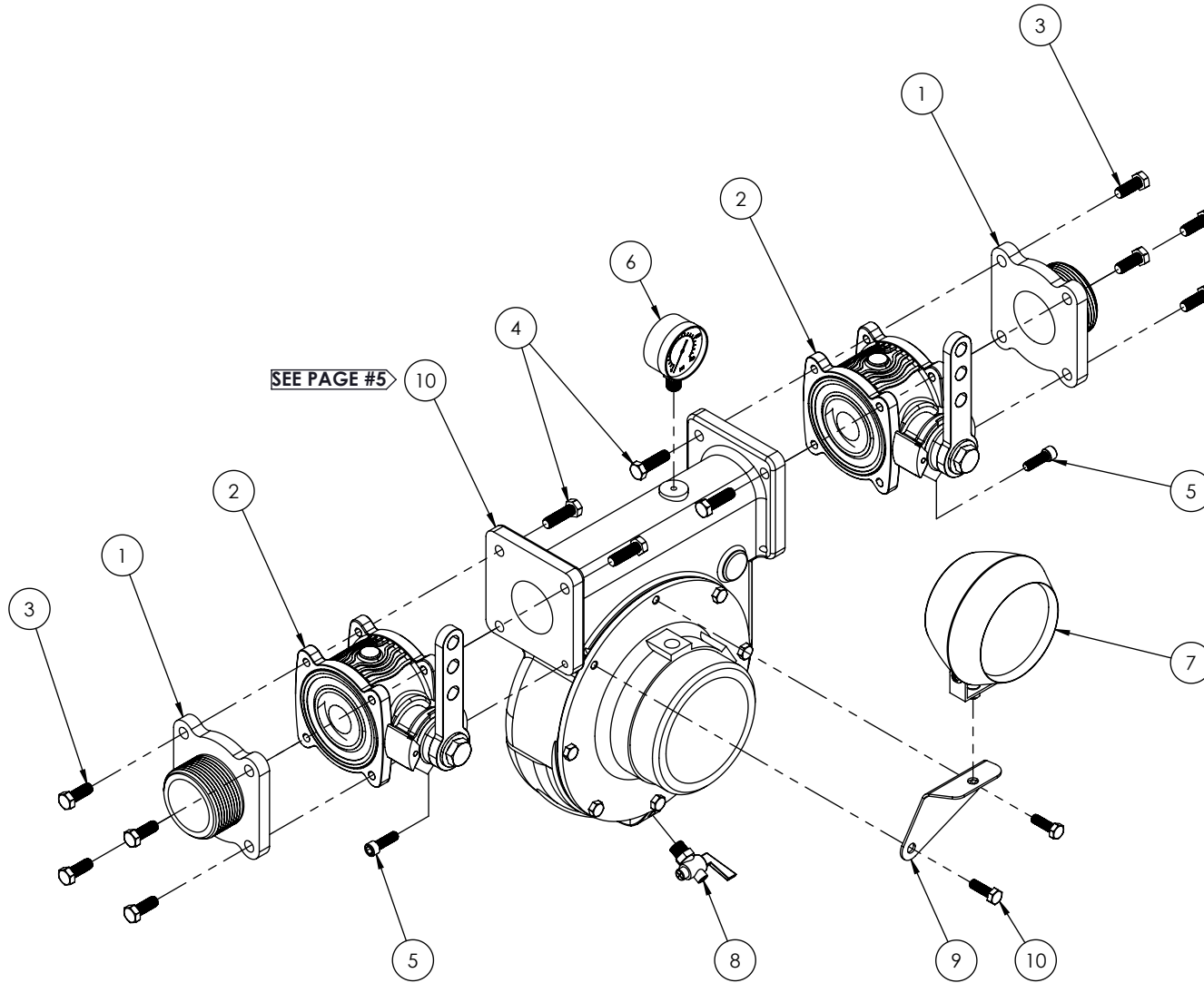
A	Version A	01-01-16	M.P.
REV.	DESCRIPTION	DATE	BY



NO	PART NUMBER	DESCRIPTION	QTY
1	001-PP1-010	KOHLER ENGINE ELECTRIC 27hp GAS	1
2	003-PP1-017	GASKET MUFFLER KIT	1
3	003-PP1-022	FUEL FILTER KOHLER 20, 25 & 27hp	1
4	003-PP1-025	OIL FILTER for 20hp, 25hp, 27hp & 38hp KOHLER	1
5	003-PP1-026	AIR FILTER W/ GREEN FOAM for 20hp, 25hp & 27hp KOHLER	1
6	003-PP1-035-1	DIP STICK	1
7	003-PP1-035-3	OIL GAUGE	1
8	005-PP1-205	BALL VALVE 1/4" NPT-F	1
9	010-PP1-999	COPPER TUBE 3/8" x 9"	1
10	020-PP1-008	BATTERY FOAM TAPE 1/2" x 3"	3
11	022-PP1-009	HEX. BOLT 3/8"-1.6 x 2" (Gr.5 ZINC)	4
12	022-PP1-022	HEX. BOLT 7/16"-1.4 x 1-1/4"	4
13	022-PP1-313	HEX. BOLT 1/4"-20 x 6"	2
14	023-PP1-001	HEX. NYLON LOCKNUT 3/8"-1.6	4
15	023-PP1-006	HEX. NYLON LOCKNUT 1/4"-20	2
16	024-PP1-009	FLAT WASHER 3/8" int. x 7/8" ext.	4
17	024-PP1-404	FLAT WASHER 1/4" ID x 5/8" OD (SS)	2
18	025-PP1-015	RUBBER WASHER 0.312" INT x 1.5" EXT. x 1/4" TK	4
19	040-PP1-005	TUBE for BATTERY ROD 1/4" x 4-3/4" RED	2
20	040-PP1-013	BATTERY CABLE CET-R-5LL	1
21	040-PP1-014	BATTERY CABLE CET-N-8.25	1
22	040-PP1-075	BATTERY 12v	1
23	045-PP1-048	CLOSE NIPPLE 1/4 NPT-M	1
24	045-PP1-132	COMP. 90deg. ELBOW 3/8" TUBE x 1/4" NPT-M	1
25	045-PP1-162	COMP. 45deg. ELBOW 3/8" TUBE x 1/4" NPT-M	1
26	057-PP1-267A	BATTERY RETAINER PLATE	1
27	060-PP1-163	SHAFT KEY 1/4"	1
28	PO-0000-1701	UNIVERSAL FULL FRAME	1
29	PO-0000-3607	ADAPTER PLATE	1
30	PO-0000-4103	VENTURY	1
31	PO-0000-5718	PUMP MUFFLER	1
32	PO-0000-6601	SMALL HANDLE	4
33	PO-502D-0801	PUMP END ACCESSORIES ASSEMBLY	1

		CREATED BY: M.P. DATE: 13-04-16	TITLE : PFP-27hpKHL-2D FULL FRAME No: PO-502D-0701-A	WARNING THIS DOCUMENT REMAINS THE PROPERTY OF C.E.T. FIRE PUMPS MFG. ALL REPRODUCTION WITHOUT WRITTEN AGREEMENT FROM C.E.T. FIRE PUMPS MFG IS TOTALLY PROHIBITED.	A	Version A	01-01-16	M.P.
		VERIFIED BY: M.P. DATE: 13-04-16			REV.	DESCRIPTION	DATE	BY

NO	PART NUMBER	DESCRIPTION	QTY
1	002-PP1-302	FLANGE 2-1/2"	2
2	005-PP1-012	FIRE GRADE VALVE 2"	2
3	022-PP1-003	HEX. BOLT 3/8"-16 x 1"	8
4	022-PP1-004	HEX. BOLT 3/8"-16 x 1-1/4"	6
5	022-PP1-996	SOCKET HEAD CAP SCREW 5/16"-18 x 1"	2
6	034-PP1-018	DRY GAUGE 0/200psi DIA 2" x 1/4CMB	1
7	040-PP1-004	PAR36 LIGHT	1
8	045-PP1-086	DRAIN VALVE 1/4" NPT-M	1
9	057-PP1-034A	BRACKET LIGHT	1
10	PO-002D-2102	PUMP END ASSEMBLY	1



CREATED
 BY: M.P.
 DATE: 19-04-16
VERIFIED
 BY: M.P.
 DATE: 19-04-16

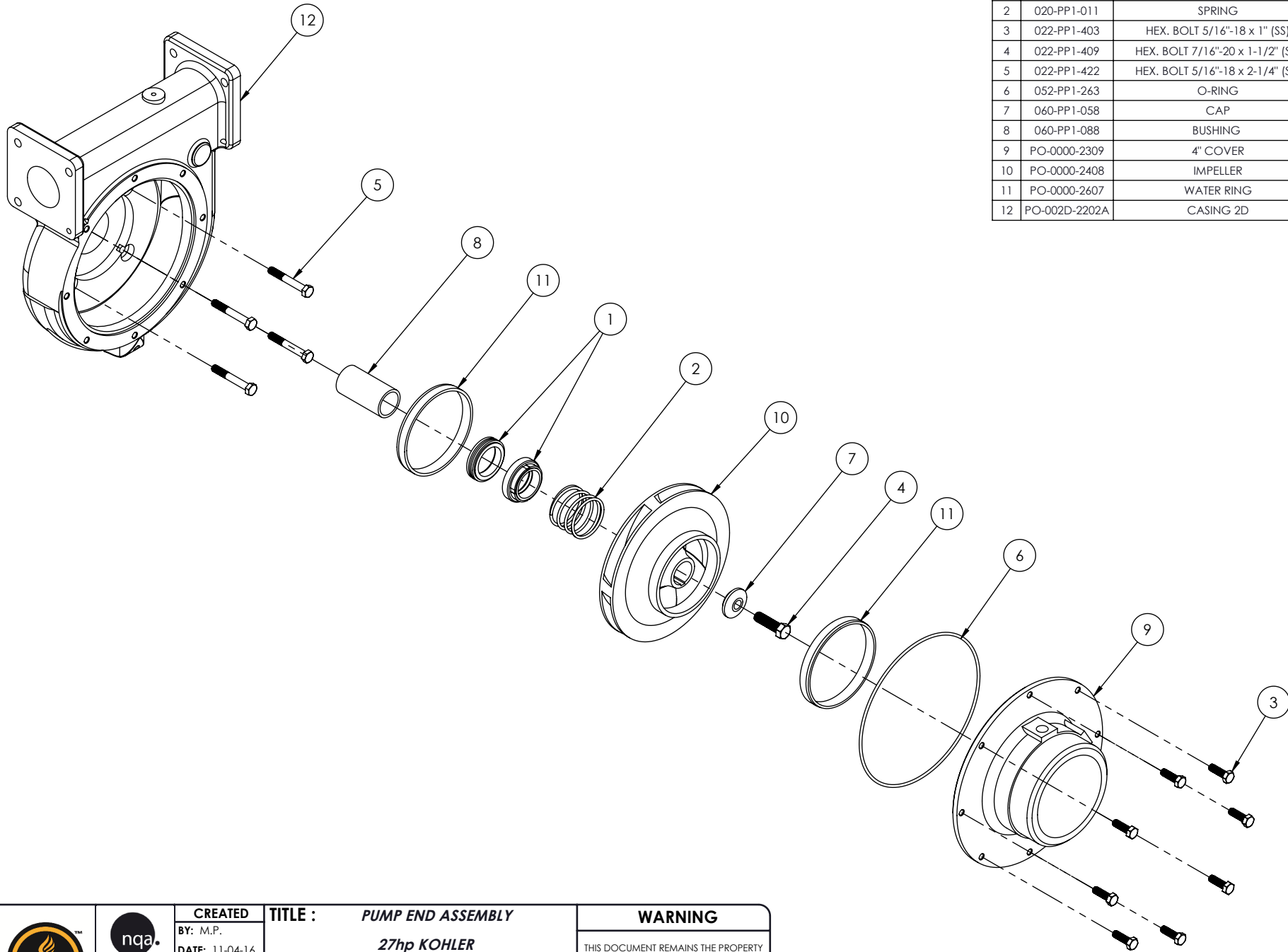
TITLE : PUMP END ACCESSORIES ASSEMBLY
 27hp KOHLER
No: PO-502D-0801



WARNING

THIS DOCUMENT REMAINS THE PROPERTY OF C.E.T. FIRE PUMPS MFG.
 ALL REPRODUCTION WITHOUT WRITTEN AGREEMENT FROM C.E.T. FIRE PUMPS MFG IS TOTALLY PROHIBITED.

REV.	DESCRIPTION	DATE	BY
A	Version A	01-01-16	M.P.

NO	PART NUMBER	DESCRIPTION	QTY	PRICE
1	020-PP1-003	1.375" T-21 BP1C1 SEALS	1	
2	020-PP1-011	SPRING	1	
3	022-PP1-403	HEX. BOLT 5/16"-18 x 1" (SS)	8	?
4	022-PP1-409	HEX. BOLT 7/16"-20 x 1-1/2" (SS)	1	?
5	022-PP1-422	HEX. BOLT 5/16"-18 x 2-1/4" (SS)	4	
6	052-PP1-263	O-RING	1	
7	060-PP1-058	CAP	1	
8	060-PP1-088	BUSHING	1	
9	PO-0000-2309	4" COVER	1	
10	PO-0000-2408	IMPELLER	1	
11	PO-0000-2607	WATER RING	2	
12	PO-002D-2202A	CASING 2D	1	



		CREATED BY: M.P. DATE: 11-04-16	TITLE : PUMP END ASSEMBLY 27hp KOHLER	WARNING THIS DOCUMENT REMAINS THE PROPERTY OF C.E.T. FIRE PUMPS MFG. ALL REPRODUCTION WITHOUT WRITTEN AGREEMENT FROM C.E.T. FIRE PUMPS MFG IS TOTALLY PROHIBITED.
		VERIFIED BY: M.P. DATE: 11-04-16	No: PO-002D-2102	

A	Version A	01-01-16	M.P.
REV.	DESCRIPTION	DATE	BY